



# LCDM

Employee Owned

# 2020

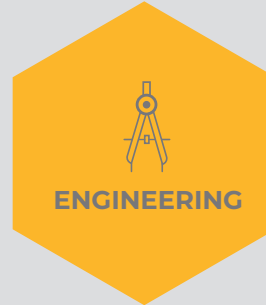
LIST PRICING



DISTRIBUTION



CUSTOM DESIGN



ENGINEERING

## Supplying Grain Handling Equipment Around the World



We are proud to offer the following products:



☎ 888.963.9145  
📞 717.514.4321  
✉ contact@LCDMcorp.com  
📠 717.502.0938  
🌐 www.LCDMcorp.com

Follow us!



**PATCHWORX**

# PatchWorx: Instant Repair Patch

Hardens Like Steel in 10 Minutes!



Step 1. Clean Surface



Step 2. Peel Backing



Step 3. Apply Patch



Step 4. Peel and Cure!

**Cures and Hardens with the Sun's Natural UV Rays!**  
**UV flashlights available for inside repairs!**

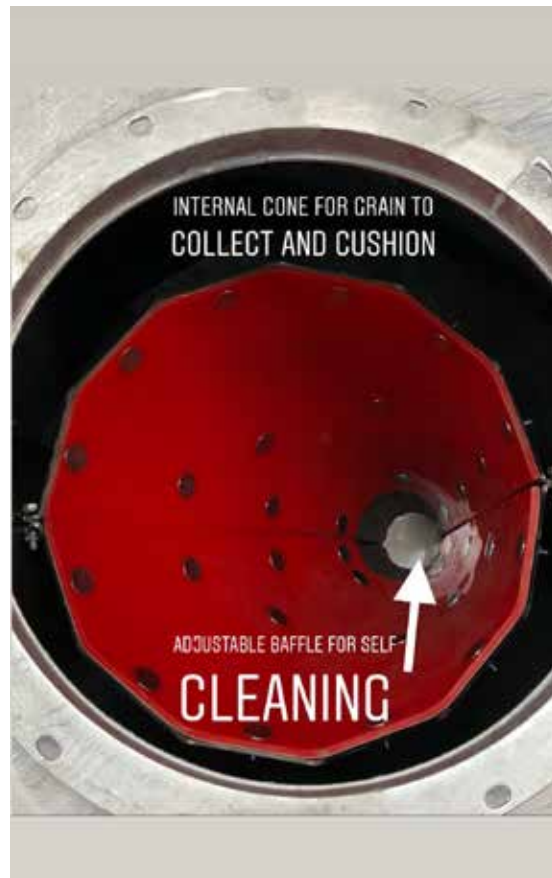
**3" x 6" Patch: \$16.99/ea.**  
**6" x 9" Patch: \$39.99/ea.**  
**9" x 12" Patch: \$49.99/ea.**  
**UV FLASHLIGHT \$28.99/ea.**

# TABLE OF CONTENTS

PatchWorx.....	1
LCDM Signature Products .....	2-17
LCDM DBAR Cushion Box.....	2-5
LCDM Flow Retarders.....	6-7
LCDM Slide Gates.....	8-11
LCDM Full Flow Pan Style Valves .....	12-17
Square Spouting.....	18
Square Spouting Accessories.....	19,20
Round Spouting.....	21
Elbows .....	22
Clamp Bands .....	23
Expansion Joint.....	23
Flat Round Flanges.....	23
Round Angle Rings.....	23
Round Pipe Truss Kit.....	24
Truss Kit Dimensions and Truss Kit Accessories .....	25
Round Branches .....	26
Transition .....	27
Cushion Boxes.....	28
Collector Box.....	28
Square Overflow .....	29
Square Overflow w/ Internal Slide Gate .....	29
Open Branch Slide Gate .....	29
Slide Gate Y-Valve.....	29
LCDM Grain Spreader .....	30
Bin Level Indicators.....	31
Elevator Buckets.....	32
Dust Suppression Hopper.....	33
Sump Saver.....	34
Flat Back Distributor .....	35
Lining Material.....	36, 37
Custom Designs.....	38
Engineering and Jobsite Layout Services.....	39
Product Dimensions and Specifications.....	41-52



# DBAR CUSHION BOX





## **LCDM DBAR Cushion Box**

*Patent# 9052044B2*

LCDM's DBAR Cushion Box has changed the way grain system equipment is installed and utilized. The DBAR was designed to reduce and eliminate grain damage in situations where it's most critical. Its patented design includes an internal cone to collect grain and create a real cushion. In turn, the DBAR can be utilized when grain is running at full and partial capacities. The DBAR has proven to exceed expectations in situations where flow retarders and "round style" cushion boxes were originally being used. In most instances, the use of a DBAR eliminates the need for flow retarders in the middle of spouts, making for convenient installation and access. No other cushion box on the market can outperform the DBAR in quality and versatility.

### **Standard option DBAR Cushion Box**

The standard option includes a heavy 8 gauge galvanized body with 2 service doors. The upper service door is large enough to access and replace the internal components, and remove any foreign objects that may be present. This eliminates the need for replacing the entire cushion box in the future. Clamp bands are available for most sizes to help facilitate the installation process.

### **Custom Liner options and finishes**

The DBAR has multiple liner options for your specific need and situation. Liner options include 1/4" blue urethane, Red Kryptane, and High Energy Orange urethane. Also available is a commercial grade urethane for higher capacity situations. The DBAR is also available in plain carbon, primed/painted, and stainless steel.

### **Ideal situations for the DBAR**

The DBAR can be used to replace any cushion box on the market on any angled spout to 35°. The best situations for the DBAR are areas where flow rates are variable (times when you might be running the spout full and other times at half capacity). It is suggested to be used in situations where cross contamination needs to be minimized. The self-cleaning internal cone allows for cleanout.

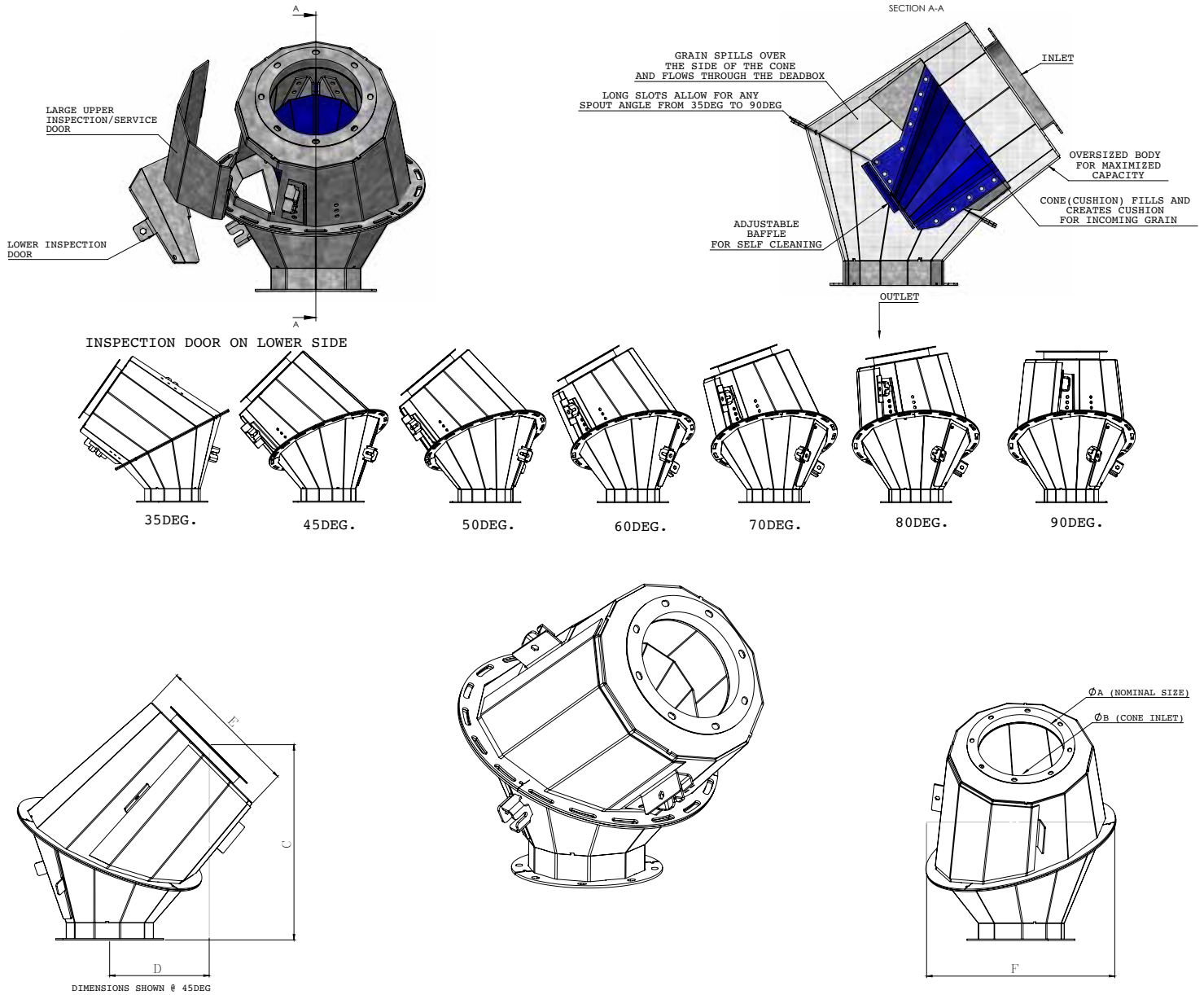
# DBAR CUSHION BOX



**\* SIGNATURE PRODUCT \***



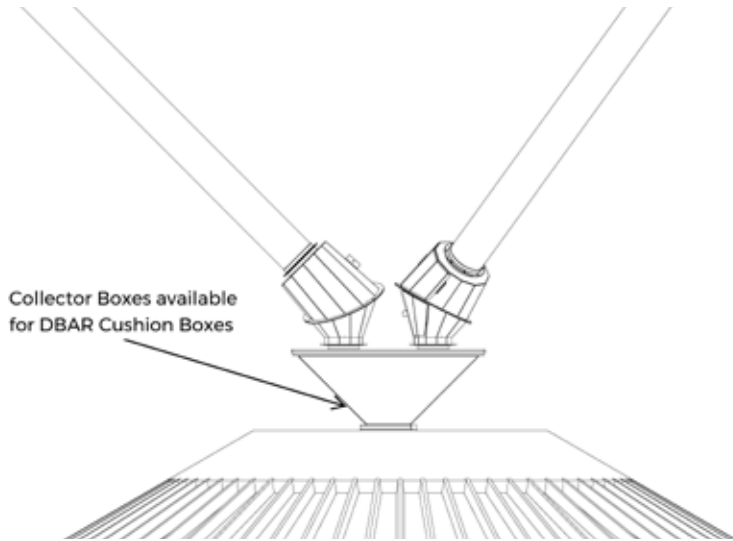
CAD Models Available  
Overlay and Layouts Available



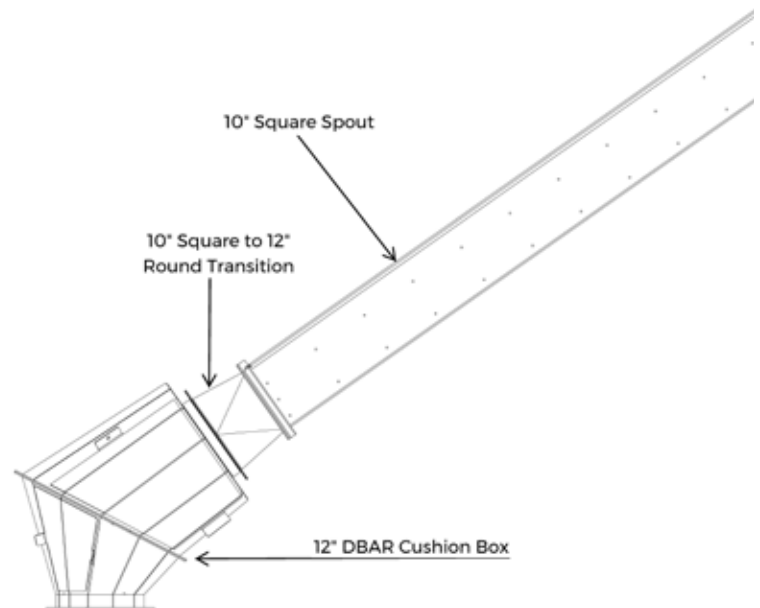
PART NUMBER	A	B	C	D	E	F
DBAR0808GDx	8	9	19--1/8	6--3/4	14	16
DBAR1008GDx	10	11	22--3/4	9--1/8	17	20
DBAR1208GDx	12	13	26--3/4	11--1/8	20	24
DBAR1408GDx	14	15	30--7/8	12--7/8	23	28
DBAR1608GDx	16	17	34--7/8	14--5/8	26	32
DBAR1808GDx	18	19	39	16--3/8	28	40
DBAR2008GDx	20	21	43	18--1/8	32	44



CAD Models Available  
Overlay and Layouts Available



Utilizing an LCDM DBAR Cushion Box with Square Spouting



## DBAR CUSHION BOX PRICING (GALVANIZED)

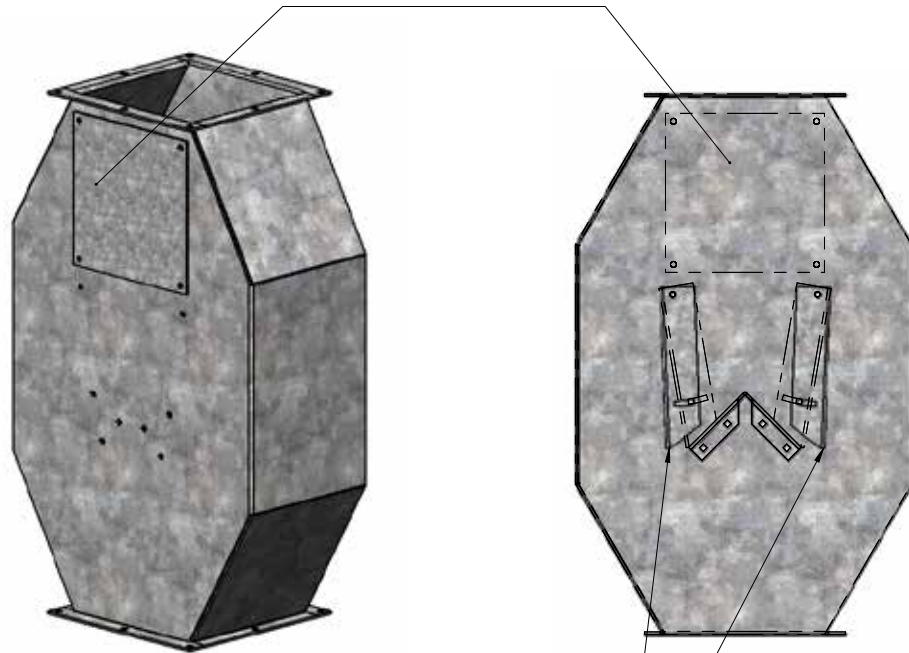
PART NUMBER	PRICE (standard w/large service door)	1/4" URETHANE LINED CONE (Add)	1/4" KRYPTANE LINED CONE (Add)	EXTREME GREEN LINED CONE (Add)
DBAR0808GDx	\$745.83	\$97.31	\$155.00	\$399.00
DBAR1008GDx	\$808.33	\$120.25	\$192.00	\$450.50
DBAR1208GDx	\$916.66	\$145.63	\$237.50	\$499.00
DBAR1408GDx	\$1,150.00	\$184.50	\$299.00	\$599.00
DBAR1608GDx	\$1,623.55	Standard	\$399.00	\$799.00
DBAR1808GDx	\$1,966.65	Standard	\$499.00	\$999.00
DBAR2008GDx	\$2,868.21	Standard	\$599.00	\$1,150.00

# FLOW RETARDERS



\* SIGNATURE PRODUCT \*

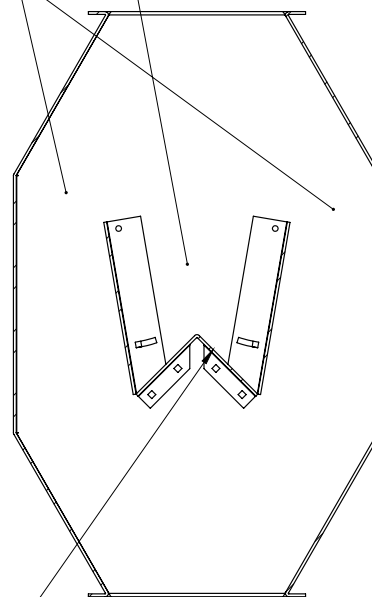
Inspection Door



Adjustable baffles to allow for self-cleaning in full flow applications and for total flow restriction in low flow applications to ensure grain quality.

Ample room to ensure no grain clogging

Pocket fills with grain and creates a cushion for incoming grain



Angled center baffle aids in clearing the cushion pocket when adjustable baffles are set for self cleaning

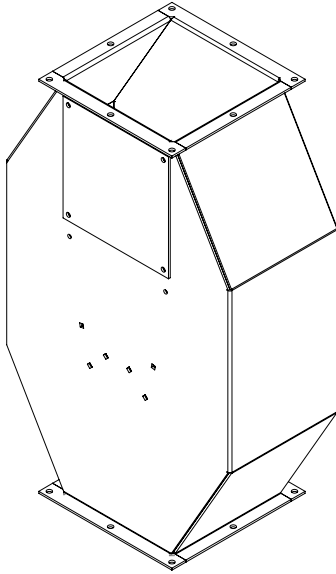
SECTION A-A





## INLINE FLOW RETARDER

Round In/Round Out, Galvanized

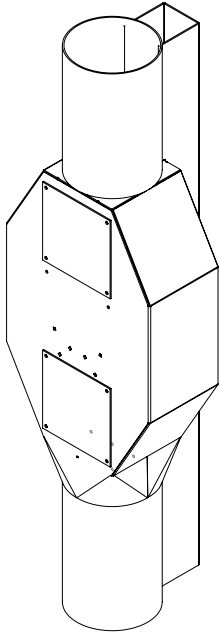


- For use in vertical spout runs every 30' to 40'
- Inspection port for viewing/adjusting baffle
- Adjustable baffle for self-cleaning
- Larger sizes available upon request
- Liner does not include outlet transition

PART NUMBER	SIZE	GAUGE	LIST PRICE
FRIS0610GN-R	6	10	\$363.70
FRIS0810GN-R	8	10	\$495.00
FRIS1010GN-R	10	10	\$486.20
FRIS1210GN-R	12	10	\$551.57
FRIS0808GN-R	8	8	\$495.00
FRIS1008GN-R	10	8	\$692.54
FRIS1208GN-R	12	8	\$697.81
FRIS1408GN-R	14	8	\$793.10

## FLOW RETARDER w/WELDING SLEEVE

Round In/Round Out, Galvanized



- Recommended for use in angled spout runs more than 40'
- 2 Inspection ports for viewing/adjusting baffle
- Adjustable baffle for self-cleaning
- Larger sizes available upon request

PART NUMBER	SIZE	GAUGE	LIST PRICE
FRIR0610GN	6	10	\$650.00
FRIR0810GN	8	10	\$700.00
FRIR1008GN	10	8	\$776.33
FRIR1208GN	12	8	\$873.75
FRIR1408GN	14	8	\$1,199.00
FRIR1608GN	16	8	\$1,320.00



# SLIDE GATES





## LCDM Slide Gates

The LCDM Slide Gate was designed to fit the needs of many applications. The internal parts of these gates that are manufactured in house include the racks, pinions, hubs, and wheels. Two of the best features include the leak-proof collars and the zinc plated steel rollers with oil impregnated bushings. Stock sizes range from 6" to 24" with various add on control options to fit the needs of the application. Custom sized gates are also available upon request. Heavy cam rollers are available for gates being installed under a heavy load.

### Manual Operation Rack and Pinion Slide Gate

Manual operated Rack and Pinion Slide Gates are the most common option. Stock sizes range from 6" to 24" with both 10 gauge and 8 gauge galvanized metal body options. The inlets and outlets of these gates are square, but can be made round by adding square to round transitions. LCDM stocks hand wheels and chain wheels for manual control options.

### Electrically Actuated Rack and Pinion Slide Gate

Electrically actuated Rack and Pinion Slide Gates are typically utilized in commercial operations where cable controls would be difficult to install, or where a PLC is controlling the operation of the valve. The standard electric option includes (1) actuator, (1) motor, and (2) limit switches. Explosion proof motors and switches are available upon request as options for motor voltages.

### Gear Drive Operation Rack and Pinion Slide Gate

Gear Drive operated Rack and Pinion Slide Gates are mostly utilized in commercial applications. In most cases, there are too many gates to open manually, so an electric motor is installed for ease of operation. The standard electric option includes (1) motor, (1) gear reducer, and (2) limit switches. Explosion proof motors and limit switches are available upon request as well as high voltage motors.

### Pneumatic Operation Slide Gates

Pneumatic operated Slide Gates are most utilized in commercial and feed mill operations. The specific operation of the valve will determine the pneumatic option needs. All pneumatic options include an air cylinder with add on options of solenoids and limit switches. Explosion proof solenoids and limit switches are available.

### Hopper Bottom Adapter

LCDM's Hopper Bottom Adapter can be utilized with most industry hopper bins. LCDM stocks an adapter that bolts up to a 16" hopper outlet. An 18" slide gate must be used with this adapter to fit properly. Adapters in stock will bolt up to Brock and GSI 16" hopper bins. An adapter for a Sukup hopper bin is also available.



\* SIGNATURE PRODUCT \*

## SLIDE GATE PRICING (GALVANIZED)

### MANUAL

PART NUMBER	10 GAUGE	8 GAUGE	WEATHER COVERS (10 GAUGE)
GTRS06xxx	\$386.25	\$403.71	\$23.75
GTRS08xxx	\$391.25	\$464.10	\$27.50
GTRS10xxx	\$412.50	\$490.49	\$31.25
GTRS12xxx	\$463.75	\$556.90	\$35.00
GTRS14xxx	\$487.50	\$588.15	\$56.25
GTRS16xxx	-	\$638.53	\$67.50
GTRS18xxx	-	\$681.49	\$72.50
GTRS20xxx	-	\$812.78	\$72.50
GTRS22xxx	-	\$937.78	\$75.50
GTRS24xxx	-	\$978.01	\$72.50

### ELECTRIC



PART NUMBER	1/3HP, SINGLE PHASE TEFC 10 GAUGE	1/3HP, 3 PHASE TEFC 8 GAUGE	1/3HP, SINGLE PHASE X-PROF 10 GAUGE	1/3HP, 3 PHASE X-PROF 8 GAUGE
GTRS06xxx-Ex	\$1,434.25	\$1,451.71	\$2,121.25	\$2,138.71
GTRS08xxx-Ex	\$1,439.25	\$1,512.10	\$2,126.25	\$2,199.10
GTRS10xxx-Ex	\$1,460.50	\$1,538.49	\$2,147.50	\$2,225.49
GTRS12xxx-Ex	\$1,511.75	\$1,604.90	\$2,198.75	\$2,291.90
GTRS14xxx-Ex	\$1,535.50	\$1,636.15	\$2,222.50	\$2,323.15
GTRS16xxx-Ex	-	\$1,686.53	-	\$2,373.53
GTRS18xxx-Ex	-	\$1,729.49	-	\$2,416.49
GTRS20xxx-Ex	-	\$1,860.78	-	\$2,547.78
GTRS22xxx-Ex	-	\$1,985.78	-	\$2,672.78
GTRS24xxx-Ex	-	\$2,026.01	-	\$2,713.01

### PNEUMATIC

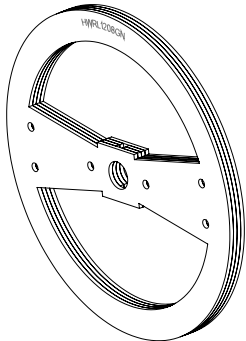


PART NUMBER	10 GAUGE	8 GAUGE	AIR CYLINDER (only) MOUNTED (Add):	AIR CYLINDER W/SINGLE SOLENOID MOUNTED (Add):	AIR CYLINDER W/DOUBLE SOLENOID MOUNTED (Add):	INDICATOR SWITCHES (2) (Add):	AIR CYLINDER W/EXPLOSION PROOF SINGLE SOLENOID MOUNTED (Add):	AIR CYLINDER W/EXPLOSION PROOF DOUBLE SOLENOID MOUNTED (Add):	EXPLOSION PROOF INDICATOR SWITCHES (2) (Add):
GTPS06xxxx	\$336.00	\$350.00	\$433.25	\$641.88	\$760.68	\$107.16	\$733.25	\$843.25	\$202.00
GTPS08xxxx	\$346.00	\$381.00	\$463.08	\$671.70	\$790.50	\$107.16	\$763.08	\$873.08	\$202.00
GTPS10xxxx	\$381.00	\$434.00	\$463.08	\$671.70	\$790.50	\$107.16	\$763.08	\$873.08	\$202.00
GTPS12xxxx	\$391.00	\$444.00	\$463.08	\$671.70	\$790.50	\$107.16	\$763.08	\$873.08	\$202.00
GTPS14xxxx	\$427.00	\$488.00	\$473.01	\$681.65	\$800.44	\$107.16	\$773.01	\$883.01	\$202.00
GTPS16xxxx	-	\$558.00	\$482.91	\$691.55	\$815.00	\$107.16	\$782.91	\$892.91	\$202.00
GTPS18xxxx	-	\$646.00	\$492.86	\$701.49	\$820.29	\$107.16	\$792.86	\$902.86	\$202.00
GTPS20xxxx	-	\$788.00	\$502.80	\$711.44	\$830.23	\$107.16	\$802.80	\$912.80	\$202.00
GTPS22xxxx	-	\$800.00	\$522.69	\$731.31	\$850.11	\$107.16	\$822.69	\$932.69	\$202.00
GTPS24xxxx	-	\$867.00	\$522.69	\$731.31	\$850.11	\$107.16	\$822.69	\$932.69	\$202.00

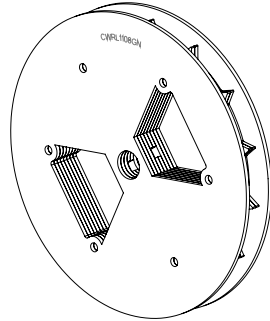


**SLIDE GATE ACCESSORIES  
(GALVANIZED)**

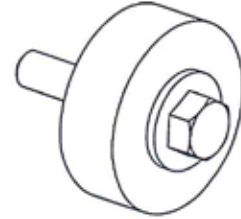
**\* SIGNATURE PRODUCT \***



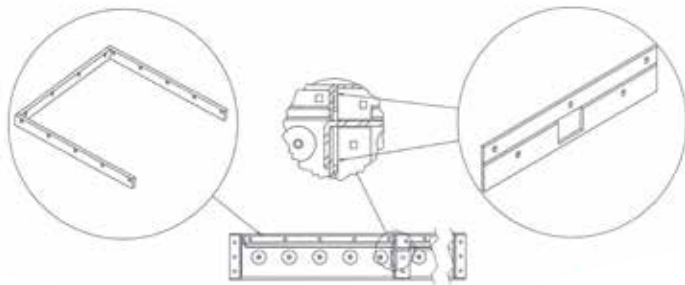
**12" HAND WHEEL  
HWRL1208GN  
\$52.50/ea**



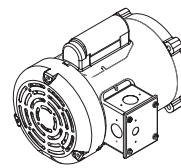
**11" CHAIN WHEEL  
CWRL1108GN  
\$87.24/ea**



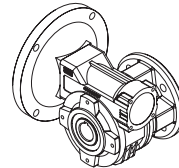
**SLIDE GATE WHEEL  
\$5.00/ea**



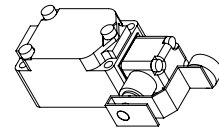
**DUST SEAL KIT DSKUxx  
\$188.00/ea**



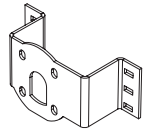
**MOTOR**



**GEARBOX**



**LIMIT SWITCH  
X2**



**BRACKET**

**ELECTRIC ADD-ON KIT  
INCLUDES:**

- 1 Motor
- 1 Gear Reducer
- 2 Limit Switches
- 1 Bracket

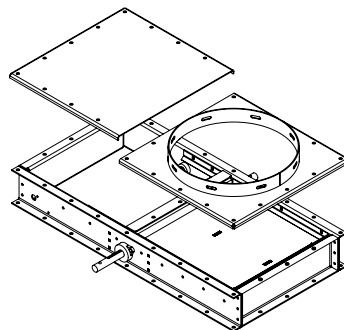
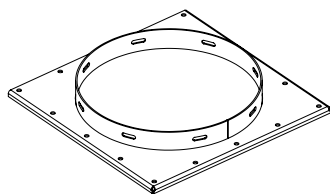
**\$1,048/ea 1/3 HP, Single Phase**

**\$1,048/ea 1/3 HP, Three Phase**

**Hopper Adapter Plate**

**SGHB1810GN**

- Brock, GSI, Sukup Bins
- For use with hopper bottoms
- Heavy 10 Ga galvanized construction
- Slotted holes for easy installation
- Can only be used with LCDM Slide Gate (18")
- **\$92.25/ea**



\* SIGNATURE PRODUCT \*



# FULL FLOW PAN STYLE VALVES





## LCDM Full Flow Pan Style Valves

LCDM's Full Flow Valves are unique to the agriculture industry. These valves are designed to handle the flow of the spout feeding into it, without restricting the flow. The Full Flow Valves also feature inlet collars to prevent grain from leaking.

### Manual Operation Full Flow Pan Style Valves

Manual operated valves are the most common option. Stock sizes range from 6" to 16" with both 10 gauge and 8 gauge galvanized metal body options. The inlets and outlets of these valves are square, but can be made round by adding square to round transitions. LCDM stocks 45° valves but 60° valves are available upon request.

### Gear Drive Operation Full Flow Pan Style Valves

Gear Drive operated valves are most utilized in situations where cable controls are difficult or impossible to install. Another common application is where the physical space constraints do not allow for a linear actuated valve. The standard electric option includes (1) motor, (1) gear reducer and (2) limit switches. Explosion proof motors are available upon request as well as high voltage motors.

### Electrically Actuated Full Flow Pan Style Valves

Electrically actuated valves are typically utilized in commercial operations where cable controls would be difficult to install, or where a PLC is controlling the operation of the valve. The standard electric option includes (1) Duff Norton Actuator, (1) motor and (2) limit switches. Explosion proof motors and switches are available upon request as options for motor voltages.

### Pneumatic Operation Full Flow Pan Style Valves

Pneumatic operated valves are most utilized in commercial and feed mill operations. The specific operation of the valve will determine the pneumatic option needs. All pneumatic options include an air cylinder with add on options of solenoids and limit switches. Explosion proof solenoids and limit switches are available.

### Liner options and finishes

All LCDM Full Flow Pan Style Valves have multiple liner options available for different situations. Liners offered are AR400 Steel, Urethane, and Ceramic Tile. Also available are inspection ports upon request. Although standard stock is galvanized finish, valves are available in plain carbon, primed/painted, and stainless steel.

# FULL FLOW PAN STYLE K-VALVES



\* SIGNATURE PRODUCT \*

## K-VALVE PRICING (GALVANIZED)

### MANUAL

PART NUMBER	NOMINAL SIZE	10 GAUGE SQ IN/SQ OUT	10 GAUGE RD IN/RD OUT	8 GAUGE SQ IN/SQ OUT	8 GAUGE RD IN/RD OUT	AR LINER (Add)	1/4" URETHANE LINER (Add)	1/4" CERAMIC TILE LINER (Add)
VAKS06xx45xx	6	\$326.25	\$537.50	-	-	\$93.75	Consult Factory	Consult Factory
VAKS08xx45xx	8	\$348.75	\$565.00	\$452.50	\$740.00	\$93.75	Consult Factory	Consult Factory
VAKS10xx45xx	10	\$448.75	\$693.75	\$541.25	\$870.00	\$125.00	Consult Factory	Consult Factory
VAKS12xx45xx	12	\$565.00	\$926.25	\$666.25	\$1,066.25	\$156.25	Consult Factory	Consult Factory
VAKS14xx45xx	14	\$637.50	\$1,018.75	\$793.75	\$1,225.00	\$187.50	Consult Factory	Consult Factory
VAKS16xx45xx	16	-----CONSULT FACTORY-----						

· Liner pricing does not include Transitions (Valve only)

### ELECTRIC (GEAR DRIVE)

PART NUMBER	NOMINAL SIZE	10 GAUGE SQ IN/SQ OUT	10 GAUGE RD IN/RD OUT	8 GAUGE SQ IN/SQ OUT	8 GAUGE RD IN/RD OUT	MOTOR/ GEARBOX DRIVE (Add)	AR LINER (Add)	1/4" URETHANE LINER (Add)	1/4" CERAMIC TILE LINER (Add)
VAKS06xx45xx-Ex	6	\$326.25	\$537.50	-	-	\$1,123.75	\$93.75	Consult Factory	Consult Factory
VAKS08xx45xx-Ex	8	\$348.75	\$565.00	\$452.50	\$740.00	\$1,123.75	\$93.75	Consult Factory	Consult Factory
VAKS10xx45xx-Ex	10	\$448.75	\$693.75	\$541.25	\$870.00	\$1,123.75	\$125.00	Consult Factory	Consult Factory
VAKS12xx45xx-Ex	12	\$565.00	\$926.25	\$666.25	\$1,066.25	\$1,123.75	\$156.25	Consult Factory	Consult Factory
VAKS14xx45xx-Ex	14	\$637.50	\$1,018.75	\$793.75	\$1,225.00	\$1,123.75	\$187.50	Consult Factory	Consult Factory
VAKS16xx45xx-Ex	16	-----CONSULT FACTORY-----							

· Liner pricing does not include Transitions (Valve only)

### ELECTRIC (ACTUATOR DRIVE)

PART NUMBER	NOMINAL SIZE	10 GAUGE SQ IN/SQ OUT	10 GAUGE RD IN/RD OUT	8 GAUGE SQ IN/SQ OUT	8 GAUGE RD IN/RD OUT	DUFF NORTON ACTUATOR (single phase and 3 phase (Add))	AR LINER (Add)	1/4" URETHANE LINER (Add)	1/4" CERAMIC TILE LINER (Add)
VAKS06xx45xx-Ex	6	\$326.25	\$537.50	-	-	\$1,570.00	\$93.75	Consult Factory	Consult Factory
VAKS08xx45xx-Ex	8	\$348.75	\$565.00	\$452.50	\$740.00	\$1,570.00	\$93.75	Consult Factory	Consult Factory
VAKS10xx45xx-Ex	10	\$448.75	\$693.75	\$541.25	\$870.00	\$1,570.00	\$125.00	Consult Factory	Consult Factory
VAKS12xx45xx-Ex	12	\$565.00	\$926.25	\$666.25	\$1,066.25	\$1,570.00	\$156.25	Consult Factory	Consult Factory
VAKS14xx45xx-Ex	14	\$637.50	\$1,018.75	\$793.75	\$1,225.00	\$1,570.00	\$187.50	Consult Factory	Consult Factory
VAKS16xx45xx-Ex	16	-----CONSULT FACTORY-----							

· Liner pricing does not include Transitions (Valve only)

### PNEUMATIC

PART NUMBER	NOMINAL SIZE	10 GAUGE SQ IN/SQ OUT	10 GAUGE RD IN/RD OUT	8 GAUGE SQ IN/SQ OUT	8 GAUGE RD IN/RD OUT	AIR ACTUATED OPTIONS (add to price of valve)	PRICE (Add)	
VAKS06xx45xx	6	\$326.25	\$537.50	-	-	Air Cylinder only, mounted	\$555.28	
VAKS08xx45xx	8	\$348.75	\$565.00	\$452.50	\$740.00	Air Cylinder with single solenoid, mounted	\$788.82	
VAKS10xx45xx	10	\$448.75	\$693.75	\$541.25	\$870.00	Air Cylinder with double solenoid, mounted	\$874.72	
VAKS12xx45xx	12	\$565.00	\$926.25	\$666.25	\$1,066.25	Limit switches, mounted (set of 2)	\$144.64	
VAKS14xx45xx	14	\$637.50	\$1,018.75	\$793.75	\$1,225.00			
VAKS16xx45xx	16	-----CONSULT FACTORY-----						

· Liner pricing does not include Transitions (Valve only)





# FULL FLOW PAN STYLE Y-VALVES

## Y-VALVE PRICING (GALVANIZED)

\* SIGNATURE PRODUCT \*

### MANUAL

PART NUMBER	NOMINAL SIZE	10 GAUGE SQ IN/SQ OUT	10 GAUGE RD IN/RD OUT	8 GAUGE SQ IN/SQ OUT	8 GAUGE RD IN/RD OUT	AR LINER (Add)	1/4" URETHANE LINER (Add)	1/4" CERAMIC TILE LINER (Add)
VAYS06xx45xx	6	\$272.50	\$483.75	-	-	\$93.75	Consult Factory	Consult Factory
VAYS08xx45xx	8	\$321.25	\$537.50	\$373.75	\$668.75	\$93.75	Consult Factory	Consult Factory
VAYS10xx45xx	10	\$333.75	\$578.75	\$433.75	\$762.50	\$125.00	Consult Factory	Consult Factory
VAYS12xx45xx	12	\$402.50	\$730.00	\$495.00	\$895.00	\$156.25	Consult Factory	Consult Factory
VAYS14xx45xx	14	\$476.25	\$857.50	\$556.25	\$987.50	\$187.50	Consult Factory	Consult Factory
VAYS16xx45xx	16	Consult Factory	Consult Factory	\$563.75	\$1123.75	\$218.75	Consult Factory	Consult Factory

· Liner pricing does not include Transitions (Valve only)

### ELECTRIC (GEAR DRIVE)

PART NUMBER	NOMINAL SIZE	10 GAUGE SQ IN/SQ OUT	10 GAUGE RD IN/RD OUT	8 GAUGE SQ IN/SQ OUT	8 GAUGE RD IN/RD OUT	MOTOR/ GEARBOX DRIVE (Add)	AR LINER (Add)	1/4" URETHANE LINER (Add)	1/4" CERAMIC TILE LINER (Add)
VAYS06xx45GG	6	\$272.50	\$483.75	-	-	\$1,123.75	\$93.75	Consult Factory	Consult Factory
VAYS08xx45GG	8	\$321.25	\$537.50	\$373.75	\$668.75	\$1,123.75	\$93.75	Consult Factory	Consult Factory
VAYS10xx45GG	10	\$333.75	\$578.75	\$433.75	\$762.50	\$1,123.75	\$125.00	Consult Factory	Consult Factory
VAYS12xx45GG	12	\$402.50	\$730.00	\$495.00	\$895.00	\$1,123.75	\$156.25	Consult Factory	Consult Factory
VAYS14xx45GG	14	\$476.25	\$857.50	\$556.25	\$987.50	\$1,123.75	\$187.50	Consult Factory	Consult Factory
VAYS16xx45GG	16	--CONSULT FACTORY--		\$563.75	\$1,123.75	\$1,123.75	\$218.75	Consult Factory	Consult Factory

· Liner pricing does not include Transitions (Valve only)

### ELECTRIC (ACTUATOR DRIVE)

PART NUMBER	NOMINAL SIZE	10 GAUGE SQ IN/SQ OUT	10 GAUGE RD IN/RD OUT	8 GAUGE SQ IN/SQ OUT	8 GAUGE RD IN/RD OUT	DUFF NORTON ACTUATOR (single phase and 3 phase (Add))	AR LINER (Add)	1/4" URETHANE LINER (Add)	1/4" CERAMIC TILE LINER (Add)
VAYS06xx45GE	6	\$272.50	\$483.75	-	-	\$1,570.00	\$93.75	Consult Factory	Consult Factory
VAYS08xx45GE	8	\$321.25	\$537.50	\$373.75	\$668.75	\$1,570.00	\$93.75	Consult Factory	Consult Factory
VAYS10xx45GE	10	\$333.75	\$578.75	\$433.75	\$762.50	\$1,570.00	\$125.00	Consult Factory	Consult Factory
VAYS12xx45GE	12	\$402.50	\$730.00	\$495.00	\$895.00	\$1,570.00	\$156.25	Consult Factory	Consult Factory
VAYS14xx45GE	14	\$476.25	\$857.50	\$556.25	\$987.50	\$1,570.00	\$187.50	Consult Factory	Consult Factory
VAYS16xx45GE	16	--CONSULT FACTORY--		\$563.75	\$1,123.75	\$1,570.00	\$218.75	Consult Factory	Consult Factory

· Liner pricing does not include Transitions (Valve only)

### PNEUMATIC

PART NUMBER	NOMINAL SIZE	10 GAUGE SQ IN/SQ OUT	10 GAUGE RD IN/RD OUT	8 GAUGE SQ IN/SQ OUT	8 GAUGE RD IN/RD OUT	AR LINER (Add)	1/4" URETHANE LINER (Add)	1/4" CERAMIC TILE LINER (Add)	AIR ACTUATED OPTIONS (add to price of valve)	PRICE (Add)
VAYS06xx45xx	6	\$272.50	\$483.75	-	-	\$93.75	Consult Factory	Consult Factory	Air Cylinder only, mounted	\$555.28
VAYS08xx45xx	8	\$321.25	\$537.50	\$373.75	\$668.75	\$93.75	Consult Factory	Consult Factory	Air Cylinder with single solenoid, mounted	\$788.82
VAYS10xx45xx	10	\$333.75	\$578.75	\$433.75	\$762.50	\$125.00	Consult Factory	Consult Factory	Air Cylinder with double solenoid, mounted	\$874.72
VAYS12xx45xx	12	\$402.50	\$730.00	\$495.00	\$895.00	\$156.25	Consult Factory	Consult Factory	Limit switches, mounted (set of 2)	\$144.64
VAYS14xx45xx	14	\$476.25	\$857.50	\$556.25	\$987.50	\$187.50	Consult Factory	Consult Factory		
VAYS16xx45xx	16	--CONSULT FACTORY--		\$563.75	\$1,123.75	\$218.75	Consult Factory	Consult Factory		

· Liner pricing does not include Transitions (Valve only)

# FULL FLOW PAN STYLE K-VALVES



\* SIGNATURE PRODUCT \*

## 3-WAY VALVE PRICING (GALVANIZED)

### MANUAL

PART NUMBER	NOMINAL SIZE	10 GAUGE SQ IN/SQ OUT	10 GAUGE RD IN/RD OUT	8 GAUGE SQ IN/SQ OUT	8 GAUGE RD IN/RD OUT	AR LINER (Add)	1/4" URETHANE LINER (Add)	1/4" CERAMIC TILE LINER (Add)
VATS06xx45xx	6	\$600.00	\$903.22	-	-	\$235.00	Consult Factory	Consult Factory
VATS08xx45xx	8	\$650.00	\$956.45	\$720.00	\$1,141.30	\$235.00	Consult Factory	Consult Factory
VATS10xx45xx	10	\$900.00	\$1,248.84	\$1,100.00	\$1,569.05	\$312.50	Consult Factory	Consult Factory
VATS12xx45xx	12	\$950.00	\$1,415.03	\$1,200.00	\$1,765.65	\$391.00	Consult Factory	Consult Factory
VATS14xx45xx	14	-	-	\$1,300.00	\$1,907.09	\$468.75	Consult Factory	Consult Factory
VATS16xx45xx	16	--CONSULT FACTORY--		\$1,500.00	\$2,279.02	\$547.00	Consult Factory	Consult Factory

· Liner pricing does not include Transitions (Valve only)

### ELECTRIC (GEAR DRIVE)

PART NUMBER	NOMINAL SIZE	10 GAUGE SQ IN/SQ OUT	10 GAUGE RD IN/RD OUT	8 GAUGE SQ IN/SQ OUT	8 GAUGE RD IN/RD OUT	MOTOR/ GEARBOX DRIVE (Add)	AR LINER (Add)	1/4" URETHANE LINER (Add)	1/4" CERAMIC TILE LINER (Add)
VATS060845GG	6	\$600.00	\$903.22	-	-	\$2,247.50	\$235.00	Consult Factory	Consult Factory
VATS080845GG	8	\$650.00	\$956.45	\$720.00	\$1,141.30	\$2,247.50	\$235.00	Consult Factory	Consult Factory
VATS100845GG	10	\$900.00	\$1,248.84	\$1,100.00	\$1,569.05	\$2,247.50	\$312.50	Consult Factory	Consult Factory
VATS120845GG	12	\$950.00	\$1,415.03	\$1,200.00	\$1,765.65	\$2,247.50	\$391.00	Consult Factory	Consult Factory
VATS140845GG	14	-	-	\$1,300.00	\$1,907.09	\$2,247.50	\$468.75	Consult Factory	Consult Factory
VATS160845GG	16	--CONSULT FACTORY--		\$1,500.00	\$2,279.02	\$2,247.50	\$547.00	Consult Factory	Consult Factory

· Liner pricing does not include Transitions (Valve only)

### ELECTRIC (ACTUATOR DRIVE)

PART NUMBER	NOMINAL SIZE	10 GAUGE SQ IN/SQ OUT	10 GAUGE RD IN/RD OUT	8 GAUGE SQ IN/SQ OUT	8 GAUGE RD IN/RD OUT	DUFF NORTON ACTUATOR (single phase and 3 phase (Add)	AR LINER (Add)	1/4" URETHANE LINER (Add)	1/4" CERAMIC TILE LINER (Add)
VATS06xx45xx	6	\$600.00	\$903.22	-	-	\$3,140.00	\$235.00	Consult Factory	Consult Factory
VATS08xx45xx	8	\$650.00	\$956.45	\$720.00	\$1,141.30	\$3,140.00	\$235.00	Consult Factory	Consult Factory
VATS10xx45xx	10	\$900.00	\$1,248.84	\$1,100.00	\$1,569.05	\$3,140.00	\$312.50	Consult Factory	Consult Factory
VATS12xx45xx	12	\$950.00	\$1,415.03	\$1,200.00	\$1,765.65	\$3,140.00	\$391.00	Consult Factory	Consult Factory
VATS14xx45xx	14	-	-	\$1,300.00	\$1,907.09	\$3,140.00	\$468.75	Consult Factory	Consult Factory
VATS16xx45xx	16	--CONSULT FACTORY--		\$1,500.00	\$2,279.02	\$3,140.00	\$547.00	Consult Factory	Consult Factory

· Liner pricing does not include Transitions (Valve only)

### PNEUMATIC

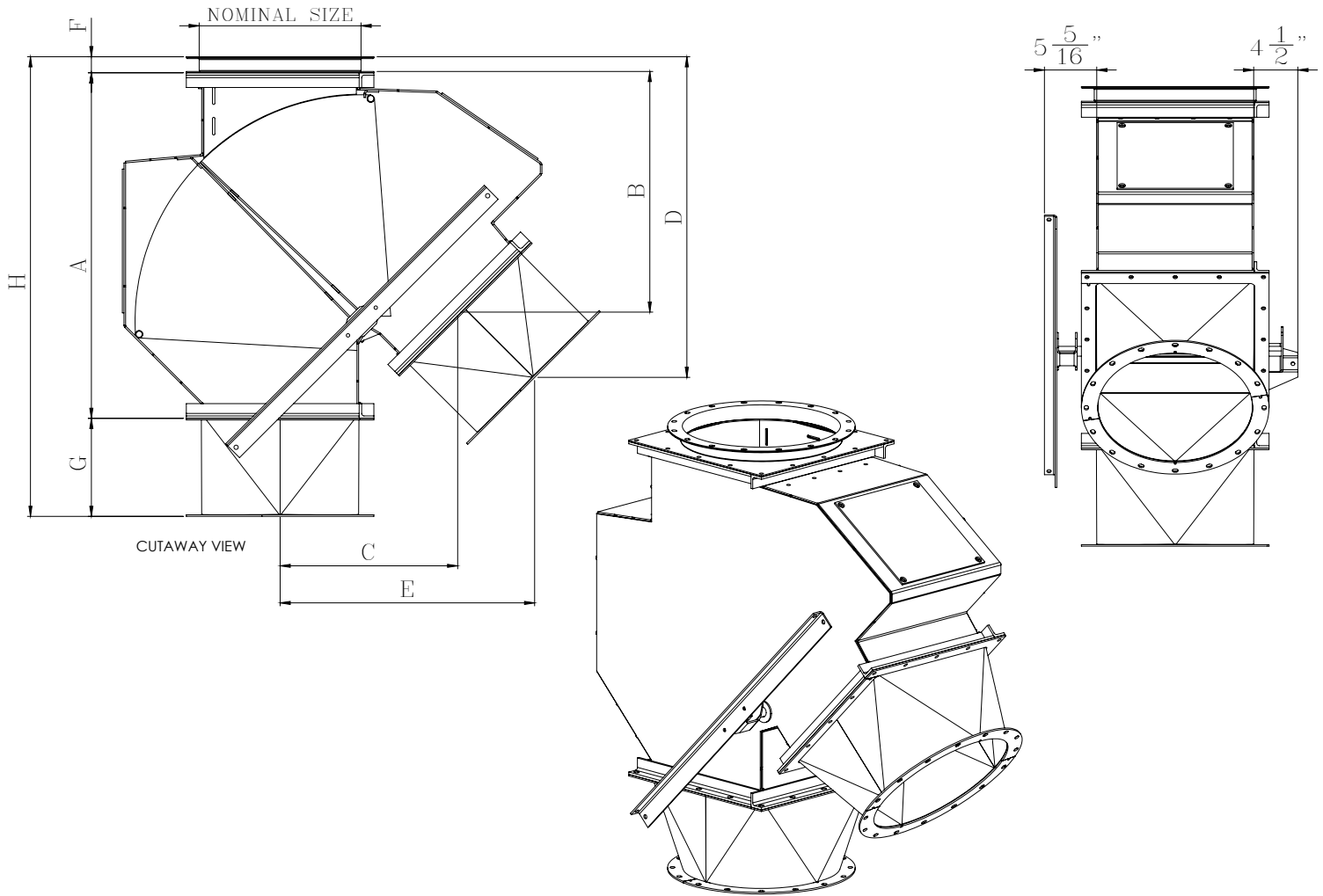
PART NUMBER	NOMINAL SIZE	10 GAUGE SQ IN/SQ OUT	10 GAUGE RD IN/RD OUT	8 GAUGE SQ IN/SQ OUT	8 GAUGE RD IN/RD OUT	AIR ACTUATED OPTIONS (add to price of valve)	PRICE (Add)
VATS06xx45xx	6	\$600.00	\$903.22	-	-	(2) Air Cylinders only, mounted	\$1,110.00
VATS08xx45xx	8	\$650.00	\$956.45	\$720.00	\$1,141.30	(2) Air Cylinders with (2) single solenoids, mounted	\$1,577.20
VATS10xx45xx	10	\$900.00	\$1,248.84	\$1,100.00	\$1,569.05	(2) Air Cylinders with (2) double solenoids, mounted	\$1,749.44
VATS12xx45xx	12	\$950.00	\$1,415.03	\$1,200.00	\$1,765.65	(4) Limit switches, mounted	\$289.28
VATS14xx45xx	14	-	-	\$1,300.00	\$1,907.09		
VATS16xx45xx	16	--CONSULT FACTORY--		\$1,500.00	\$2,279.02		

· Liner pricing does not include Transitions (Valve only)



# FULL FLOW DAMPER STYLE K-VALVES

\* SIGNATURE PRODUCT \*



• CALL FOR PRICING •

## MANUAL

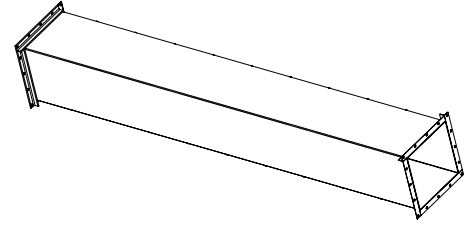
PART NUMBER	NOMINAL SIZE	A	B	C	D	E	F	G	H
VAKSD06xx45xx	6	15--7/8	11	8	16	11--7/8	1--3/8	5--1/4	22
VAKSD08xx45xx	8	19--1/2	14--5/8	10--1/2	19--1/4	16--5/8	1--3/8	5--1/4	26--1/8
VAKSD10xx45xx	10	23	16--5/8	12	21--1/4	16--1/4	1--3/8	5--1/4	29--5/8
VAKSD12xx45xx	12	23--3/4	19--1/4	14--3/4	25--1/8	19--1/4	1--5/8	6--1/4	34--5/8
VAKSD14xx45xx	14	31--1/8	21--1/4	16--5/16	27--1/4	20--7/8	1--5/8	6--1/4	39
VAKSD16xx45xx	16	35--1/4	24	18--7/8	32--7/8	25--7/8	1--5/8	6--1/4	46--7/8
VAKSD18xx45xx	18	39--3/8	28--1/4	22--1/4	36--1/2	29--1/8	1--5/8	10	51
VAKSD20xx45xx	20	43--1/8	31--1/8	22--1/4	39--5/16	31--5/8	1--5/8	10	54--3/4
VAKSD22xx45xx	22	46--3/4	35--5/8	26--7/8	42--1/8	34	1--5/8	10	58--1/2
VAKSD24xx45xx	24	50	37	27--1/2	43--1/4	34--1/2	1--5/8	10	61--5/8
VAKSD30xx45xx	30	61--3/8	42--1/8	33--1/2	51--3/8	40--1/2	2--1/8	10	73--1/2

# SQUARE SPOUTING

## WELDED SEAM SQUARE SPOUTING

Galvanized Material (Standard)

- Standard 10' Lengths
- Stainless and Carbon Steel available upon request
- Please call LCDM for sizes not listed below

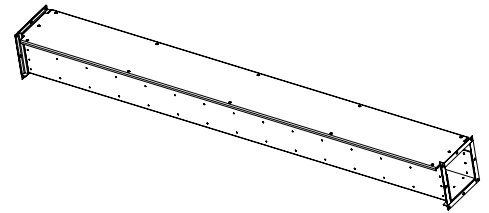


SIZE	12 GAUGE FLANGED & UNFLANGED	10 GAUGE FLANGED & UNFLANGED	8 GAUGE FLANGED & UNFLANGED	1/4" FLANGED & UNFLANGED
6				
8				
10				
12	<p style="text-align: center;"><b>All Square Spouting is made to order. Call for pricing. If you need something not listed, please give us a call.</b></p>			
14				
16				
18				
20				
24				
30				
36				

## REMOVABLE LID SQUARE SPOUTING

Galvanized Material (Standard)

- Standard 10' Lengths
- Liner packages include full width bottom and 2/3 of each side
- All liner packages are manufactured to be replaceable
- Contact LCDM for stainless steel pricing

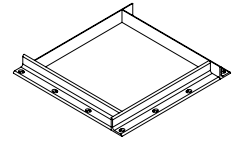


SIZE	12 GAUGE UNLINED	10 GAUGE UNLINED	7 GAUGE AR LINED	1/4" URETHANE BLUE	5/16" URETHANE BLUE	5/16" CERAMIC CHIP URETHANE	1/4" UHMW	1/4" HIGH ENERGY ORANGE	1/4" KRYPTANE RED	1/4" CERAMIC TILE
6										
8										
10	<p style="text-align: center;"><b>All Square Spouting is made to order. Call for pricing. We offer all the above liner options and replacement liners. If you need something not listed, please give us a call.</b></p>									
12										
14										
16										
18										
20										
24										
30										
36										

# SQUARE SPOUTING ACCESSORIES

## SQUARE ANGLE IRON FLANGES

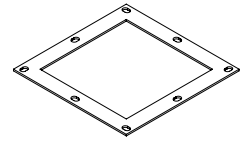
Plain Carbon



PART NUMBER	DESCRIPTION	LIST PRICE
FLAS0608B	Square Angle Iron Flange, 6" x 3/16" (plain carbon)	\$18.14
FLAS0808B	Square Angle Iron Flange, 8" x 3/16" (plain carbon)	\$18.94
FLAS1008B	Square Angle Iron Flange, 10" x 3/16" (plain carbon)	\$23.36
FLAS1208B	Square Angle Iron Flange, 12" x 3/16" (plain carbon)	\$25.23
FLAS1408B	Square Angle Iron Flange, 14" x 3/16" (plain carbon)	\$26.51
FLAS1608B	Square Angle Iron Flange, 16" x 3/16" (plain carbon)	\$27.52
FLAS1808B	Square Angle Iron Flange, 18" x 3/16" (plain carbon)	\$30.85

## SQUARE FLANGES

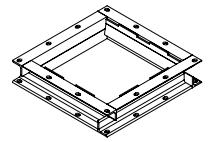
Flat, Galvanized



PART NUMBER	DESCRIPTION	LIST PRICE
FLFS0610GN	Square Flange (flat) 6", 10 gauge (galvanized)	\$13.13
FLFS0810GN	Square Flange (flat) 8", 10 gauge (galvanized)	\$14.44
FLFS1010GN	Square Flange (flat) 10", 10 gauge (galvanized)	\$15.09
FLFS1210GN	Square Flange (flat) 12", 10 gauge (galvanized)	\$15.75
FLFS1410GN	Square Flange (flat) 14", 10 gauge (galvanized)	\$19.03

## SQUARE LOAD OUT HINGE

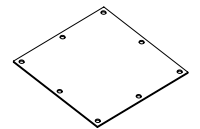
Galvanized



PART NUMBER	DESCRIPTION	LIST PRICE
SLH08	Square Load Out Hinge, 8" (galvanized)	\$155.00
SLH10	Square Load Out Hinge, 10" (galvanized)	\$160.00
SLH12	Square Load Out Hinge, 12" (galvanized)	\$170.00
SLH14	Square Load Out Hinge, 14" (galvanized)	\$200.00
SLH16	Square Load Out Hinge, 16" (galvanized)	\$250.00
SLH18	Square Load Out Hinge, 18" (galvanized)	\$300.00
SLH20	Square Load Out Hinge, 20" (galvanized)	\$330.00
SLH24	Square Load Out Hinge, 24" (galvanized)	\$360.00

## SQUARE SPOUT CAPS

Galvanized

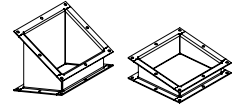


PART NUMBER	DESCRIPTION	LIST PRICE
PLFS0610GN	Round Spout Caps, 6", 10 gauge (galvanized)	\$16.40
PLFS0810GN	Round Spout Caps, 8", 10 gauge (galvanized)	\$16.40
PLFS1010GN	Round Spout Caps, 10", 10 gauge (galvanized)	\$17.23
PLFS1210GN	Round Spout Caps, 12", 10 gauge (galvanized)	\$23.78
PLFS1410GN	Round Spout Caps, 14", 10 gauge (galvanized)	\$43.46

# SQUARE SPOUTING ACCESSORIES

## SQUARE WEDGES

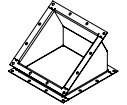
10° and 45°, Galvanized



PART NUMBER	DESCRIPTION	10 GAUGE LIST PRICE	8 GAUGE LIST PRICE	1/4" URETHANE LINED (Add)	1/4" CERAMIC TILE LINED (Add)
WGFS06**GN	Square Wedge, 6"	\$60.69	*	\$131.25	\$166.25
WGFS08**GN	Square Wedge, 8"	\$67.91	\$82.20	\$137.50	\$182.88
WGFS10**GN	Square Wedge, 10"	\$75.59	\$86.53	\$150.00	\$199.50
WGFS12**GN	Square Wedge, 12"	\$87.95	\$110.96	\$200.00	\$261.25
WGFS14**GN	Square Wedge, 14"	\$102.20	\$128.38	\$213.00	\$279.06
WGFS16**GN	Square Wedge, 16"	\$108.59	\$145.83	\$231.25	\$312.31

## HIP STYLE ELBOWS, 45D

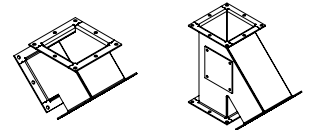
Galvanized



PART NUMBER	DESCRIPTION	10 GAUGE LIST PRICE	8 GAUGE LIST PRICE	1/4" URETHANE LINED (Add)	1/4" CERAMIC TILE LINED (Add)
ELSQ06**45GN	Square Fixed Elbow (Hip-Style), 6", 45°	\$150.00	-	\$131.25	\$166.25
ELSQ08**45GN	Square Fixed Elbow (Hip-Style), 8", 45°	\$170.00	\$180.00	\$137.50	\$182.88
ELSQ10**45GN	Square Fixed Elbow (Hip-Style), 10", 45°	\$200.00	\$235.00	\$150.00	\$199.50
ELSQ12**45GN	Square Fixed Elbow (Hip-Style), 12", 45°	\$220.00	\$248.00	\$200.00	\$261.25
ELSQ14**45GN	Square Fixed Elbow (Hip-Style), 14", 45°	\$240.00	\$260.00	\$213.00	\$279.06
ELSQ16**45GN	Square Fixed Elbow (Hip-Style), 16", 45°	\$250.00	\$280.00	\$231.25	\$312.31
ELSQ18**45GN	Square Fixed Elbow (Hip-Style), 18", 45°	\$275.00	\$320.00	\$262.50	\$352.69
ELSQ20**45GN	Square Fixed Elbow (Hip-Style), 20", 45°	\$350.00	\$400.00	\$268.75	\$361.00
ELSQ24**45GN	Square Fixed Elbow (Hip-Style), 24", 45°	\$450.00	\$500.00	\$350.00	\$419.19

## Y AND K STYLE BRANCHES, 45D

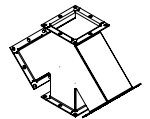
Galvanized



PART NUMBER	DESCRIPTION	10 GAUGE LIST PRICE	8 GAUGE LIST PRICE	1/4" URETHANE LINED (Add)	1/4" CERAMIC TILE LINED (Add)
BRSY06**45GN	Branch (square), "Y Style", 6", 45°	\$220.00	-	\$275.00	\$343.75
BRSY08**45GN	Branch (square), "Y Style", 8", 45°	\$250.00	\$250.00	\$312.50	\$390.63
BRSY10**45GN	Branch (square), "Y Style", 10", 45°	\$270.00	\$280.00	\$337.50	\$421.88
BRSY12**45GN	Branch (square), "Y Style", 12", 45°	\$300.00	\$320.00	\$375.00	\$468.75
BRSY14**45GN	Branch (square), "Y Style", 14", 45°	\$400.00	\$500.00	\$500.00	\$625.00
BR SK06**45GN	Branch (square), "K Style", 6", 45°	\$220.00	-	\$275.00	\$343.75
BR SK08**45GN	Branch (square), "K Style", 8", 45°	\$250.00	\$250.00	\$312.50	\$390.63
BR SK10**45GN	Branch (square), "K Style", 10", 45°	\$270.00	\$280.00	\$337.50	\$421.88
BR SK12**45GN	Branch (square), "K Style", 12", 45°	\$300.00	\$320.00	\$375.00	\$468.75
BR SKY14**45GN	Branch (square), "K Style", 14", 45°	\$400.00	\$500.00	\$500.00	\$625.00

## THREE-WAY STYLE BRANCHES, 45D

Galvanized



PART NUMBER	DESCRIPTION	10 GAUGE LIST PRICE	8 GAUGE LIST PRICE	1/4" URETHANE LINED (Add)	1/4" CERAMIC TILE LINED (Add)
BRST06**45GN	Branch (square), "3-Way Style", 6", 45°	\$320.00	-	\$400.00	\$500.00
BRST08**45GN	Branch (square), "3-Way Style", 8", 45°	\$350.00	\$400.00	\$437.50	\$546.88
BRST10**45GN	Branch (square), "3-Way Style", 10", 45°	\$380.00	\$440.00	\$475.00	\$593.75
BRST12**45GN	Branch (square), "3-Way Style", 12", 45°	\$400.00	\$500.00	\$500.00	\$625.00
BRST14**45GN	Branch (square), "3-Way Style", 14", 45°	\$500.00	\$650.00	\$625.00	\$781.25

# GALVANIZED SPOUTING

## ROUND SPOUTING

PART NUMBER	DESCRIPTION	SIZE	14 GAUGE LIST PRICE	12 GAUGE LIST PRICE	10 GAUGE LIST PRICE	7 GAUGE LIST PRICE	1/4" LIST PRICE
SPRD04**GN	Galvanized Round Spouting	4"	\$4.81	*	*	*	*
SPRD05**GN	Galvanized Round Spouting	5"	\$5.84	\$8.22	*	*	*
SPRD06**GN	Galvanized Round Spouting	6"	\$6.79	\$8.99	*	*	*
SPRD08**GN	Galvanized Round Spouting	8"	*	*	\$11.13	\$20.19	CALL
SPRD10**GN	Galvanized Round Spouting	10"	*	*	\$14.40	\$26.04	CALL
SPRD12**GN	Galvanized Round Spouting	12"	*	*	\$18.38	\$30.14	CALL
SPRD14**GN	Galvanized Round Spouting	14"	*	*	*	\$37.49	\$51.46
SPRD16**GN	Galvanized Round Spouting	16"	*	*	*	\$57.32	\$74.43

Please call for pricing on sizes not shown.

## SPOUT LOADOUT SOCKS

PART NUMBER	DESCRIPTION	LIST PRICE
SPLS06	Spout Loadout Sock, 6" x 5'	\$212.50
SPLS08	Spout Loadout Sock, 8" x 5'	\$212.50
SPLS10	Spout Loadout Sock, 10" x 5'	\$262.50
SPLS12	Spout Loadout Sock, 12" x 5'	\$262.50
SPLS14	Spout Loadout Sock, 14" x 5'	\$273.00
SPLS16	Spout Loadout Sock, 16" x 5'	\$310.00
SPLS18	Spout Loadout Sock, 18" x 5'	\$315.00
SPLS20	Spout Loadout Sock, 20" x 5'	\$320.00

## Spout Loadout Socks

Loadout socks are designed to control the dust on your loadout spouts. Each set comes with a flange and band to hold the sock in place. Socks are made of a heavy duty polyester material with a sewn seam. Socks come in 5' lengths.

# TuffTube®

The Tuff Tube lining system is a patented urethane spout liner that significantly reduces the abrasion of grain, seed and fertilizer handling, extending the life of equipment.

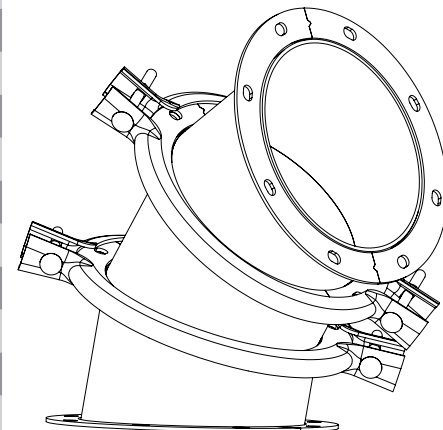
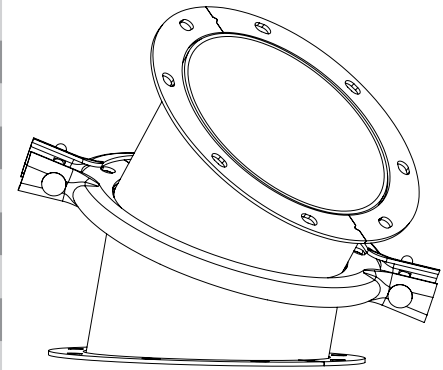
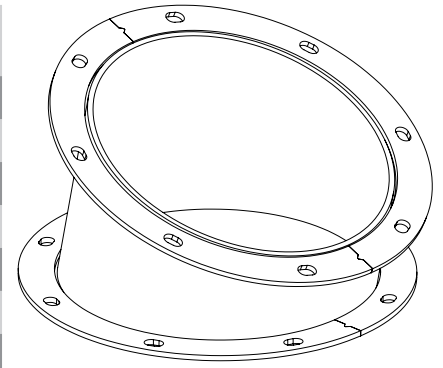
The Tuff Tube lining system combats high maintenance costs and the constant replacement of steel spout. It can be rotated 120 to 180 degrees to present additional wear surfaces. This saves the expense of having to purchase new material each year. It comes in 20' lengths as a standard but custom sizes are available. The Tuff Tube protects valuable machinery and improves the bottom line!



# ADJUSTABLE ELBOWS

## ADJUSTABLE ELBOWS (GALVANIZED)

SIZE	GAUGE	LINER OPTION	22 ½° LIST	45° LIST	67 ½° LIST
6"	10	NO LINER	\$24.95	\$56.71	\$88.74
6"	10	BLUE URETHANE	\$66.89	\$140.79	\$214.70
6"	10	CERAMIC TILE	\$115.27	\$237.36	\$359.46
8"	10	NO LINER	\$30.63	\$68.38	\$106.13
8"	7	NO LINER	\$31.73	\$69.59	\$107.95
8"	¼"	NO LINER	\$59.47	\$126.22	\$192.98
8"	10	BLUE URETHANE	\$76.94	\$161.36	\$245.78
8"	10	CERAMIC TILE	\$115.27	\$237.83	\$360.38
10"	10	NO LINER	\$36.24	\$80.23	\$124.21
10"	7	NO LINER	\$37.50	\$83.20	\$128.90
10"	¼"	NO LINER	\$65.61	\$138.51	\$211.41
10"	10	BLUE URETHANE	\$86.84	\$180.96	\$274.55
10"	10	CERAMIC TILE	\$126.26	\$260.73	\$395.19
12"	10	NO LINER	\$46.88	\$106.19	\$165.50
12"	7	NO LINER	\$52.85	\$116.08	\$179.31
12"	¼"	NO LINER	\$84.00	\$181.06	\$278.12
12"	10	BLUE URETHANE	\$118.13	\$247.16	\$376.18
12"	10	CERAMIC TILE	\$161.02	\$335.10	\$683.26
14"	10	NO LINER	\$59.03	\$135.54	\$212.05
14"	7	NO LINER	\$68.10	\$154.33	\$240.56
14"	¼"	NO LINER	CALL	CALL	CALL
14"	10	BLUE URETHANE	\$142.75	\$304.52	\$465.78
14"	10	CERAMIC TILE	\$267.95	\$554.26	\$839.53
16"	10	NO LINER	CALL	CALL	CALL
16"	7	NO LINER	\$89.99	\$204.98	\$319.96
16"	¼"	NO LINER	\$118.75	\$262.50	\$406.25
16"	10	BLUE URETHANE	\$191.63	\$409.50	\$627.38
16"	10	CERAMIC TILE	\$368.50	\$763.23	\$1,157.97
18"	7	NO LINER	\$99.99	\$237.46	\$374.94
18"	¼"	NO LINER	CALL	CALL	CALL
18"	7	BLUE URETHANE	\$263.63	\$506.61	\$779.60
18"	7	CERAMIC TILE	\$436.89	\$913.14	\$1,389.39
20"	7	NO LINER	\$143.50	\$331.99	\$520.48
20"	¼"	NO LINER	CALL	CALL	CALL
20"	7	BLUE URETHANE	CALL	CALL	CALL
20"	7	CERAMIC TILE	\$583.28	\$1,213.79	\$1844.30
24"	7	NO LINER	CALL	CALL	CALL
24"	¼"	NO LINER	CALL	CALL	CALL
24"	7	BLUE URETHANE	CALL	CALL	CALL
24"	7	CERAMIC TILE	CALL	CALL	CALL

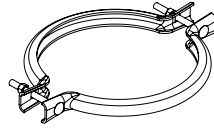




# ROUND SPOUTING ACCESSORIES

## CLAMP BANDS

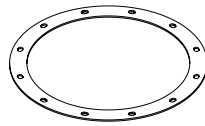
Galvanized Clamp Bands include hardware.



PART NUMBER	DESCRIPTION	PRICE
CB0610GN	Clamp Band, 6" (galvanized) w/hardware	\$6.75
CB0810GN	Clamp Band, 8" (galvanized) w/hardware	\$7.13
CB1010GN	Clamp Band, 10" (galvanized) w/hardware	\$8.20
CB1210GN	Clamp Band, 12" (galvanized) w/hardware	\$10.38
CB1410GN	Clamp Band, 14" (galvanized) w/hardware	\$18.13
CB1610GN	Clamp Band, 16" (galvanized) w/hardware	\$21.88
CB1810GN	Clamp Band, 18" (galvanized) w/hardware	\$37.49
CB2010GN	Clamp Band, 20" (galvanized) w/hardware	\$44.99
CB2410GN	Clamp Band, 24" (galvanized) w/hardware	\$74.99

## ROUND FLANGES

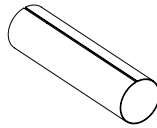
Flat, Galvanized



PART NUMBER	DESCRIPTION	PRICE
FLFR0610GN	Round Flange (flat) 6", 10 gauge (galvanized)	\$8.20
FLFR0810GN	Round Flange (flat) 8", 10 gauge (galvanized)	\$9.84
FLFR1010GN	Round Flange (flat) 10", 10 gauge (galvanized)	\$12.99
FLFR1210GN	Round Flange (flat) 12", 10 gauge (galvanized)	\$13.13
FLFR1410GN	Round Flange (flat) 14", 10 gauge (galvanized)	\$14.76

## WELDING SLEEVES

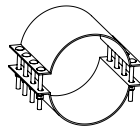
Welding sleeves are manufactured out of pre-galvanized material.



PART NUMBER	DESCRIPTION	PRICE
SWSR0612GN	Spout Welding Sleeve, 6", 12 gauge (galvanized), 24" long	Call
SWSR0812GN	Spout Welding Sleeve, 8", 12 gauge (galvanized), 24" long	\$39.56
SWSR1012GN	Spout Welding Sleeve, 10", 12 gauge (galvanized), 24" long	\$44.53
SWSR1212GN	Spout Welding Sleeve, 12", 12 gauge (galvanized), 24" long	\$54.40
SWSR1410GN	Spout Welding Sleeve, 14", 10 gauge (galvanized), 24" long	\$69.51
SWSR1610GN	Spout Welding Sleeve, 16", 10 gauge (galvanized), 24" long	\$78.86
SWSR1810GN	Spout Welding Sleeve, 18", 10 gauge (galvanized), 24" long	\$92.94
SWSR2010GN	Spout Welding Sleeve, 20", 10 gauge (galvanized), 24" long	\$164.74
SWSR2410GN	Spout Welding Sleeve, 24", 10 gauge (galvanized), 24" long	\$172.65

## SPOUT SADDLES

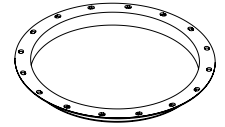
Spout Saddles are manufactured out of pre-galvanized material and come with hardware.



PART NUMBER	DESCRIPTION	PRICE
SPSA0610GN	Spout Saddles, 6", 10 gauge (galvanized), 8" long	\$35.13
SPSA0810GN	Spout Saddles, 8", 10 gauge (galvanized), 8" long	\$36.24
SPSA1010GN	Spout Saddles, 10", 10 gauge (galvanized), 8" long	\$45.00
SPSA1210GN	Spout Saddles, 12", 10 gauge (galvanized), 8" long	\$52.50
SPSA1410GN	Spout Saddles, 14", 10 gauge (galvanized), 8" long	\$61.25
SPSA1610GN	Spout Saddles, 16", 10 gauge (galvanized), 8" long	\$74.99

## ROUND ANGLE RINGS

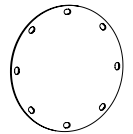
Plain Carbon



PART NUMBER	DESCRIPTION	PRICE
FLAR0610B	Angle Ring, 6" (plain carbon)	\$6.43
FLAR0810B	Angle Ring, 8" (plain carbon)	\$6.89
FLAR1010B	Angle Ring, 10" (plain carbon)	\$7.47
FLAR1208B	Angle Ring, 12" (plain carbon)	\$13.32
FLAR1408B	Angle Ring, 14" (plain carbon)	\$15.03
FLAR1608B	Angle Ring, 16" (plain carbon)	\$18.67
FLAR1808B	Angle Ring, 18" (plain carbon)	\$19.05
FLAR2008B	Angle Ring, 20" (plain carbon)	\$20.60
FLAR2208B	Angle Ring, 22" (plain carbon)	\$22.86
FLAR2408B	Angle Ring, 24" (plain carbon)	\$26.07

## ROUND SPOUT CAPS

Round caps are manufactured out of pre-galvanized material.

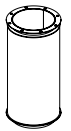


PART NUMBER	DESCRIPTION	PRICE
PLFR0610GN	Round Spout Caps, 6", 10 gauge (galvanized)	\$11.15
PLFR0810GN	Round Spout Caps, 8", 10 gauge (galvanized)	\$16.40
PLFR1010GN	Round Spout Caps, 10", 10 gauge (galvanized)	\$17.65
PLFR1210GN	Round Spout Caps, 12", 10 gauge (galvanized)	\$25.14
PLFR1410GN	Round Spout Caps, 14", 10 gauge (galvanized)	\$43.95

## EXPANSION JOINTS

Galvanized

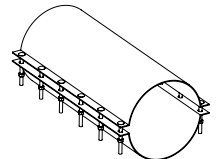
• Larger sizes available upon request



PART NUMBER	SIZE	GAUGE	PRICE
EJRD0810GN	8	10	\$344.00
EJRD0808GN	8	8	\$440.00
EJRD1010GN	10	10	\$366.00
EJRD1008GN	10	8	\$416.00
EJRD1208GN	12	8	\$520.00
EJRD1408GN	14	8	\$623.00

## SPOUT SLEEVES

Spout Sleeves are manufactured out of pre-galvanized material and come with hardware.

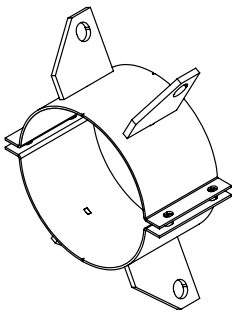
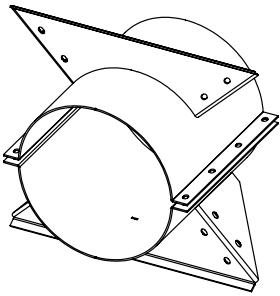
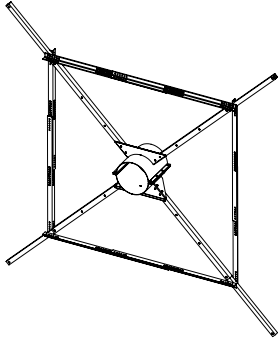


PART NUMBER	DESCRIPTION	PRICE
SPPA0612GN	Spout Sleeves, 6", 12 gauge (galvanized), 24" long	\$68.75
SPPA0812GN	Spout Sleeves, 8", 12 gauge (galvanized), 24" long	\$73.75
SPPA1012GN	Spout Sleeves, 10", 12 gauge (galvanized), 24" long	\$83.75
SPPA1212GN	Spout Sleeves, 12", 12 gauge (galvanized), 24" long	\$93.75
SPPA1412GN	Spout Sleeves, 14", 12 gauge (galvanized), 24" long	\$102.50
SPPA1612GN	Spout Sleeves, 16", 12 gauge (galvanized), 24" long	\$111.25

# ROUND PIPE TRUSS KITS

## ROUND SPOUT TRUSS KITS

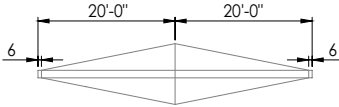
Galvanized



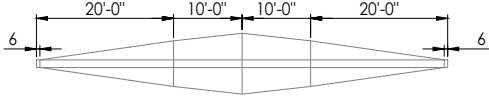
PART NUMBER	SIZE	WITH CABLE	WITHOUT CABLE
<b>40' RUN</b>			
PTK0640	6" x 40'	\$704.00	\$577.92
PTK0840	8" x 40'	\$720.00	\$585.00
PTK1040	10" x 40'	\$776.00	\$622.40
PTK1240	12" x 40'	\$825.60	\$699.00
PTK1440	14" x 40'	\$865.60	\$730.00
PTK1640	16" x 40'	\$1,027.20	\$873.60
<b>60' RUN</b>			
PTK0660	6" x 60'	\$897.21	\$672.00
PTK0860	8" x 60'	\$897.21	\$688.00
PTK1060	10" x 60'	\$930.00	\$699.00
PTK1260	12" x 60'	\$990.00	\$840.00
PTK1460	14" x 60'	\$990.40	\$822.40
PTK1660	16" x 60'	\$1,115.90	\$947.90
<b>80' RUN</b>			
PTK0680	6" x 80'	\$1,539.20	\$1,306.00
PTK0880	8" x 80'	\$1,571.20	\$1,330.00
PTK1080	10" x 80'	\$1,598.40	\$1,360.00
PTK1280	12" x 80'	\$1,688.00	\$1,450.00
PTK1480	14" x 80'	\$1,864.00	\$1,630.00
PTK1680	16" x 80'	\$2,228.80	\$1,969.60
<b>100' RUN</b>			
PTK06100	6" x 100'	\$1,587.20	\$1,306.00
PTK08100	8" x 100'	\$1,619.20	\$1,330.00
PTK10100	10" x 100'	\$1,651.20	\$1,360.00
PTK12100	12" x 100'	\$1,830.40	\$1,523.00
PTK14100	14" x 100'	\$1,912.00	\$1,630.00
<b>100' ALT RUN</b>			
PTK06100A	6" x 100'	---	---
PTK08100A	8" x 100'	---	---
PTK10100A	10" x 100'	\$2,016.00	\$1,730.00
PTK12100A	12" x 100'	\$2,276.00	\$1,969.00
PTK14100A	14" x 100'	\$2,999.00	\$2,750.00

# CABLE AND ACCESSORIES

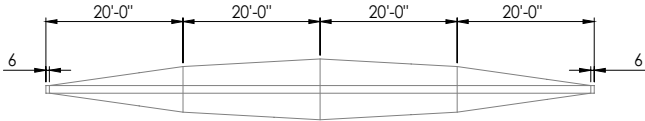
40' SPOUT



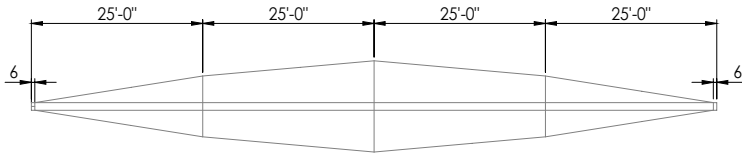
60' SPOUT



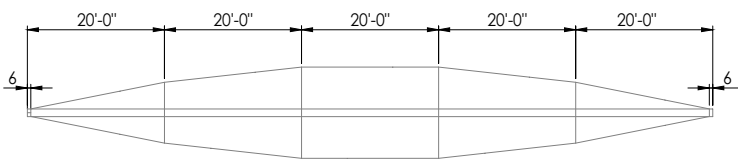
80' SPOUT



100' SPOUT



OPTIONAL 100' SPOUT



- **40' Truss Kit (6" - 8"):** (1) 2' Primary Truss
- **40' Truss Kit (10" - 12"):** (1) 3' Primary Truss
- **40' Truss Kit (14" - 16"):** (1) 4' Primary Truss

- **60' Truss Kit (6" - 8"):** (1) 4' Primary Truss
- **60' Truss Kit (10" - 14"):** (1) 5' Primary Truss

- **80' Truss Kit (6" - 12"):** (1) 4' Primary Truss  
(2) 3' Secondary Trusses
- **80' Truss Kit (14" - 16"):** (1) 5' Primary Truss  
(2) 4' Secondary Trusses

- **100' Truss Kit (6" - 10"):** (1) 4' Primary Truss  
(2) 3' Secondary Trusses
- **100' Truss Kit (12" - 16"):** (1) 5' Primary Truss  
(2) 4' Secondary Trusses

- **100' ALT Truss Kit (10"):** (1) 4' Primary Truss  
(2) 3' Secondary Trusses
- **100' ALT Truss Kit (12"):** (1) 5' Primary Truss  
(2) 4' Secondary Trusses
- **100' ALT Truss Kit (12"-16"):** (2) 6' Primary Trusses  
(2) 5' Secondary Trusses  
(2) 4' Secondary Trusses

**\*\*All Truss Kits include 2 sets of end anchors\*\***

## CABLE

Galvanized



PART NUMBER	DESCRIPTION	PRICE
CABLE316	Cable, 3/16" (galvanized aircraft)	\$0.16
CABLE516	Cable, 5/16" (galvanized aircraft)	\$0.36
CABLE38	Cable, 3/8" (galvanized aircraft)	\$0.56
CABLE12	Cable, 1/2" (galvanized aircraft)	\$0.95
CABLE58	Cable, 5/8" (galvanized aircraft)	\$1.24

## CABLE CLAMPS

Galvanized



PART NUMBER	DESCRIPTION	PRICE
CC316	Cable Clamp, 3/16" (galvanized)	\$0.15
CC516	Cable Clamp, 5/16" (galvanized)	\$0.31
CC38	Cable Clamp, 3/8" (galvanized)	\$0.70
CC12	Cable Clamp, 1/2" (galvanized)	\$0.69

## TURNUCKLES

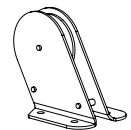
Galvanized



PART NUMBER	DESCRIPTION	PRICE
TB12x9JE	Turnbuckle, 1/2" x 9" (Jaw to Eye) (galvanized)	\$6.24
TB12x12JE	Turnbuckle, 1/2" x 12" (Jaw to Eye) (galvanized)	\$7.69
TB58x6JE	Turnbuckle, 5/8" x 6" (Jaw to Eye) (galvanized)	\$8.13
TB58x9JE	Turnbuckle, 5/8" x 9" (Jaw to Eye) (galvanized)	\$9.38
TB58x12JE	Turnbuckle, 5/8" x 12" (Jaw to Eye) (galvanized)	\$11.24

## HOT HOUSE PULLEY

Galvanized



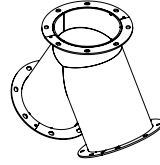
PART NUMBER	DESCRIPTION	PRICE
HHPZ	Hot House Pulley (galvanized)	\$10.63

# ROUND STYLE BRANCHES

## Y-STYLE ROUND BRANCH 45°

Galvanized

60° available upon request

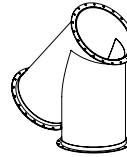


PART NUMBER	DESCRIPTION	LIST PRICE
BRPY061045GN	Branch (round), "Y Style", 6", 10 gauge, 45 degree (galvanized)	\$128.75
BRPY081045GN	Branch (round), "Y Style", 8", 10 gauge, 45 degree (galvanized)	\$161.25
BRPY101045GN	Branch (round), "Y Style", 10", 10 gauge, 45 degree (galvanized)	\$190.00
BRPY121045GN	Branch (round), "Y Style", 12", 10 gauge, 45 degree (galvanized)	\$241.25
BRPY141045GN	Branch (round), "Y Style", 14", 10 gauge, 45 degree (galvanized)	\$272.50
BRPY080845GN	Branch (round), "Y Style", 8", 8 gauge, 45 degree (galvanized)	\$185.00
BRPY100845GN	Branch (round), "Y Style", 10", 8 gauge, 45 degree (galvanized)	\$230.00
BRPY120845GN	Branch (round), "Y Style", 12", 8 gauge, 45 degree (galvanized)	\$270.00
BRPY140845GN	Branch (round), "Y Style", 14", 8 gauge, 45 degree (galvanized)	\$356.25

## OFFSET STYLE ROUND BRANCH 45°

Galvanized

60° available upon request

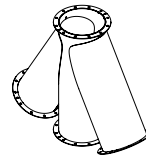


PART NUMBER	DESCRIPTION	LIST PRICE
BRPK061045GN	Branch (round), "Offset Style", 6", 10 gauge, 45 degree (galvanized)	\$153.75
BRPK081045GN	Branch (round), "Offset Style", 8", 10 gauge, 45 degree (galvanized)	\$175.00
BRPK101045GN	Branch (round), "Offset Style", 10", 10 gauge, 45 degree (galvanized)	\$190.00
BRPK121045GN	Branch (round), "Offset Style", 12", 10 gauge, 45 degree (galvanized)	\$266.25
BRPK141045GN	Branch (round), "Offset Style", 14", 10 gauge, 45 degree (galvanized)	\$310.00
BRPK080845GN	Branch (round), "Offset Style", 8", 8 gauge, 45 degree (galvanized)	\$201.25
BRPK100845GN	Branch (round), "Offset Style", 10", 8 gauge, 45 degree (galvanized)	\$233.75
BRPK120845GN	Branch (round), "Offset Style", 12", 8 gauge, 45 degree (galvanized)	\$325.00
BRPK140845GN	Branch (round), "Offset Style", 14", 8 gauge, 45 degree (galvanized)	\$340.00

## OFFSET STYLE ROUND BRANCH 45°

Galvanized

60° available upon request

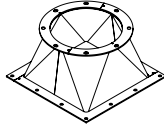


PART NUMBER	DESCRIPTION	LIST PRICE
BRPT061045GN	Branch (round), "Three-Way Style", 6", 10 gauge, 45 degree (galvanized)	\$207.50
BRPT081045GN	Branch (round), "Three-Way Style", 8", 10 gauge, 45 degree (galvanized)	\$256.25
BRPT101045GN	Branch (round), "Three-Way Style", 10", 10 gauge, 45 degree (galvanized)	\$267.50
BRPT121045GN	Branch (round), "Three-Way Style", 12", 10 gauge, 45 degree (galvanized)	\$357.50
BRPT141045GN	Branch (round), "Three-Way Style", 14", 10 gauge, 45 degree (galvanized)	\$426.25
BRPT080845GN	Branch (round), "Three-Way Style", 8", 8 gauge, 45 degree (galvanized)	\$298.75
BRPT100845GN	Branch (round), "Three-Way Style", 10", 8 gauge, 45 degree (galvanized)	\$328.75
BRPT120845GN	Branch (round), "Three-Way Style", 12", 8 gauge, 45 degree (galvanized)	\$471.25
BRPT140845GN	Branch (round), "Three-Way Style", 14", 8 gauge, 45 degree (galvanized)	\$488.75

# TRANSITIONS

## SQUARE TO ROUND

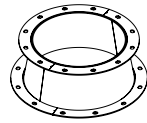
Galvanized



PART NUMBER	SQUARE SIDE	ROUND SIDE	10 GAUGE	8 GAUGE	URETHANE LINED (Add)	1/4" CERAMIC TILE LINED (Add)
TRSR0606*GN	6"	6"	\$91.49	*	\$105.56	\$91.20
TRSR0808*GN	8"	8"	\$98.44	\$127.10	\$109.38	\$91.20
TRSR0806*GN	8"	6"	\$122.09	*	\$109.38	\$95.00
TRSR1010*GN	10"	10"	\$111.25	\$140.10	\$120.00	\$112.10
TRSR1008*GN	10"	8"	\$129.31	\$137.53	\$126.95	\$119.70
TRSR1212*GN	12"	12"	\$137.51	\$166.05	\$151.65	\$144.40
TRSR1210*GN	12"	10"	\$146.90	\$170.10	\$151.65	\$131.10
TRSR1414*GN	14"	14"	\$157.75	\$187.55	\$182.45	\$161.50
TRSR1412*GN	14"	12"	\$178.91	\$194.69	\$182.45	\$161.50
TRSR1410*GN	14"	10"	\$207.56	\$225.50	CALL	\$190.00
TRSR1616*GN	16"	16"	\$216.60	\$229.78	\$218.75	\$193.80
TRSR1614*GN	16"	14"	\$211.34	\$236.15	\$218.75	\$193.80
TRSR1818*GN	18"	18"	*	\$275.53	\$249.99	\$193.80

## ROUND TO ROUND

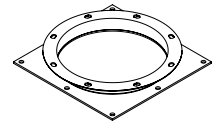
Galvanized



PART NUMBER	DESCRIPTION	LIST PRICE
TRRR080610GN	Transition, 8" round to 6" round, 10 gauge	\$86.63
TRRR100810GN	Transition, 10" round to 8" round, 10 gauge	\$98.44
TRRR121010GN	Transition, 12" round to 10" round, 10 gauge	\$123.00
TRRR141210GN	Transition, 14" round to 12" round, 10 gauge	\$135.19
TRRR100808GN	Transition, 10" round to 8" round, 8 gauge	\$103.69
TRRR121008GN	Transition, 12" round to 10" round, 8 gauge	\$140.44
TRRR141208GN	Transition, 14" round to 12" round, 8 gauge	\$158.81
TRRR100610GN	Transition, 10" round to 6" round, 10 gauge	\$155.00
TRRR120810GN	Transition, 12" round to 8" round, 10 gauge	\$144.38
TRRR141010GN	Transition, 14" round to 10" round, 10 gauge	\$166.69
TRRR120808GN	Transition, 12" round to 8" round, 8 gauge	\$164.06
TRRR141008GN	Transition, 14" round to 10" round, 8 gauge	\$195.56

## FLAT TOP ADAPTERS

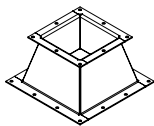
Galvanized



PART NUMBER	DESCRIPTION	LIST PRICE
FTSR060610GN	Flat Top Adapter, 6" 10 gauge	\$28.75
FTSR080810GN	Flat Top Adapter, 8" 10 gauge	\$33.75
FTSR101010GN	Flat Top Adapter, 10" 10 gauge	\$37.50
FTSR121210GN	Flat Top Adapter, 12" 10 gauge	\$52.50
FTSR141410GN	Flat Top Adapter, 14" 10 gauge	\$66.25
FTSR161610GN	Flat Top Adapter, 16" 10 gauge	\$81.25
FTSR181810GN	Flat Top Adapter, 18" 10 gauge	\$118.75
FTSR080808GN	Flat Top Adapter, 8" 8 gauge	\$40.00
FTSR101008GN	Flat Top Adapter, 10" 8 gauge	\$48.75
FTSR121208GN	Flat Top Adapter, 12" 8 gauge	\$67.50
FTSR141408GN	Flat Top Adapter, 14" 8 gauge	\$81.25
FTSR161608GN	Flat Top Adapter, 16" 8 gauge	\$122.50
FTSR181808GN	Flat Top Adapter, 18" 8 gauge	\$150.00
FTSR202008GN	Flat Top Adapter, 20" 8 gauge	\$175.00
FTSR242408GN	Flat Top Adapter, 24" 8 gauge	\$187.49

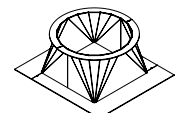
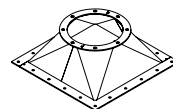
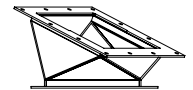
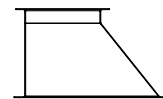
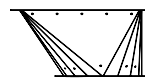
## SQUARE TO SQUARE

Galvanized



PART NUMBER	DESCRIPTION	LIST PRICE
TRSS080610GN	Transition, 8" square to 6" square, 10 gauge	\$75.00
TRSS100810GN	Transition, 10" square to 8" square, 10 gauge	\$82.50
TRSS121010GN	Transition, 12" square to 10" square, 10 gauge	\$102.50
TRSS141210GN	Transition, 14" square to 12" square, 10 gauge	\$122.50
TRSS100808GN	Transition, 10" square to 8" square, 8 gauge	\$93.75
TRSS121008GN	Transition, 12" square to 10" square, 8 gauge	\$127.79
TRSS141208GN	Transition, 14" square to 12" square, 8 gauge	\$153.21

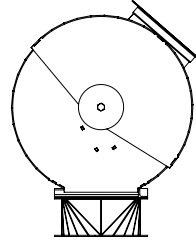
We manufacture custom transitions!  
Contact us today for configurations not listed.



# CUSHION BOXES & COLLECTOR BOX

## ROUND ADJUSTABLE CUSHION BOX

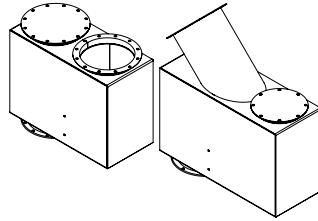
Larger sizes available upon request  
 Liner options do not include square to round transition  
 Priced as Round In/Round Out  
 1/4 inch Baffles



PART NUMBER	SIZE	10 GAUGE PRIMED	8 GAUGE PRIMED	10 GAUGE GALVANIZED	8 GAUGE GALVANIZED	1/4" BLUE URETHANE LINED (Add)	1/4" CERAMIC TILE LINED (Add)
DBAC06	6	\$310.00	-	\$411.12	-	\$171.73	\$173.00
DBAC08	8	\$310.00	\$373.75	\$415.00	\$499.00	\$171.73	\$177.00
DBAC10	10	\$366.25	\$411.25	\$419.00	\$535.83	\$197.14	\$203.00
DBAC12	12	\$461.25	\$586.25	\$553.75	\$628.80	\$305.96	\$334.00
DBAC14	14	\$521.25	\$641.25	\$638.56	\$738.75	\$331.84	\$379.00
DBAC16	16	CALL	\$821.25	-	\$1,090.00	\$386.94	\$395.00

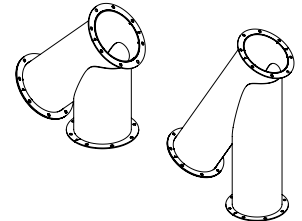
## BOX STYLE DEADBOX

Galvanized  
 Larger sizes available upon request  
 Liner options available upon request



## PIPE STYLE DEADBOX

Galvanized  
 Larger sizes available upon request  
 Liner options available upon request



PART NUMBER	DESCRIPTION	10 GAUGE GALVANIZED	8 GAUGE GALVANIZED
DBFB061045GN	Box Style Deadbox, 6", 45 degree	\$367.50	-
DBFB081045GN	Box Style Deadbox, 8", 45 degree	\$417.50	\$511.25
DBFB101045GN	Box Style Deadbox, 10", 45 degree	\$527.50	\$651.25
DBFB121045GN	Box Style Deadbox, 12", 45 degree	\$666.25	\$781.25
DBFB141045GN	Box Style Deadbox, 14", 45 degree	\$922.50	\$960.00

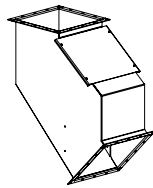
PART NUMBER	DESCRIPTION	10 GAUGE GALVANIZED	8 GAUGE GALVANIZED
DBFP061045GN	Pipe Style Deadbox, 6", 45 degree	\$178.75	-
DBFP081045GN	Pipe Style Deadbox, 8", 45 degree	\$205.00	\$242.50
DBFP101045GN	Pipe Style Deadbox, 10", 45 degree	\$237.50	\$282.50
DBFP121045GN	Pipe Style Deadbox, 12", 45 degree	\$341.25	\$372.50
DBFP141045GN	Pipe Style Deadbox, 14", 45 degree	\$455.00	\$445.00

PART NUMBER	DESCRIPTION	10 GAUGE GALVANIZED	8 GAUGE GALVANIZED
DBFB061090GN	Box Style Deadbox, 6", 90 degree	\$318.75	-
DBFB081090GN	Box Style Deadbox, 8", 90 degree	\$376.25	\$443.75
DBFB101090GN	Box Style Deadbox, 10", 90 degree	\$447.50	\$525.00
DBFB121090GN	Box Style Deadbox, 12", 90 degree	\$543.75	\$658.75
DBFB141090GN	Box Style Deadbox, 14", 90 degree	\$622.50	\$763.75

PART NUMBER	DESCRIPTION	10 GAUGE GALVANIZED	8 GAUGE GALVANIZED
DBFP061060GN	Pipe Style Deadbox, 6", 60 degree	\$227.50	-
DBFP081060GN	Pipe Style Deadbox, 8", 60 degree	\$278.75	\$318.75
DBFP101060GN	Pipe Style Deadbox, 10", 60 degree	\$333.75	\$390.00
DBFP121060GN	Pipe Style Deadbox, 12", 60 degree	\$478.75	\$527.50
DBFP141060GN	Pipe Style Deadbox, 14", 60 degree	\$703.75	\$691.25

## VERTICAL DROP CUSHION TURNOUT

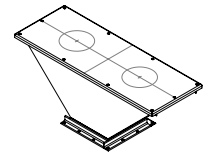
Galvanized  
 Square in/Square out  
 Larger sizes available upon request



SIZE	7 GAUGE PLATE with 7 GAUGE AR LINER	1/4" GAUGE PLATE with 1/4" GAUGE AR LINER
6	\$438	\$563
8	\$457	\$588
10	\$563	\$749
12	\$588	\$769
14	\$813	\$1062.50
16	\$825	\$1094

## COLLECTOR BOX

Galvanized  
 Larger sizes available upon request



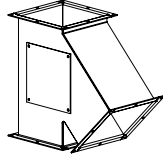
PART NUMBER	10 GAUGE GALVANIZED	8 GAUGE GALVANIZED	1/4" BLUE URETHANE LINED (Add)	1/4" CERAMIC TILE LINED (Add)
COLB0808**GN	\$391.00	\$520.00	\$187.50	\$275.00
COLB1010**GN	\$469.00	\$700.00	\$237.50	\$343.75
COLB1212**GN	\$600.00	\$780.00	\$312.50	\$425.00
COLB1414**GN	\$690.00	\$900.00	\$325.00	\$437.50
COLB1616**GN	-	\$999.00	\$418.00	\$560.50
COLB1818**GN	-	\$1,050.00	\$450.06	\$577.13
COLB2020**GN	-	\$1,150.00	\$508.25	\$604.44

# OVERFLOW VALVES

## OVERFLOW VALVES

Round In/Round Out, Galvanized

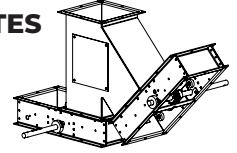
- Includes inspection port
- Larger sizes available upon request



## SYNCHRONIZED OPEN BRANCH SLIDE GATES

Includes inspection port, Galvanized

- Larger sizes available upon request



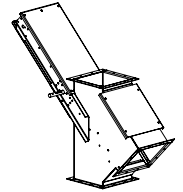
SIZE	10 GAUGE	8 GAUGE
6"	\$411.91	-
8"	\$446.94	\$544.56
10"	\$482.78	\$624.10
12"	\$561.59	\$653.13
14"	\$669.26	\$790.05
16"	-	\$1,053.60

SIZE	10 GAUGE	8 GAUGE	ELECTRIC (Add)
6"	\$1,368.38	-	\$2,097.50
8"	\$1,334.35	\$1,383.85	\$2,097.50
10"	\$1,438.08	\$1,513.51	\$2,097.50
12"	\$1,678.54	\$1,815.28	\$2,097.50
14"	\$1,805.84	\$1,829.41	\$2,097.50
16"	\$1,937.78	\$1,994.44	\$2,097.50

## OVERFLOW WITH INTERNAL 45° SLIDE GATE

Galvanized

- Includes (2) weather covers
- Larger sizes available upon request

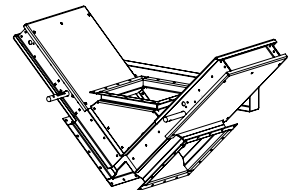


SIZE	10 GAUGE	8 GAUGE	ELECTRIC OPTION (Add)	AR LINED (Add)	1/4" CERAMIC TILE LINED (Add)
6"	\$720.00	-	\$1,048.75	CALL	CALL
8"	\$740.00	\$750.00	\$1,048.75	CALL	CALL
10"	\$890.00	\$940.00	\$1,048.75	CALL	CALL
12"	\$925.00	\$999.00	\$1,048.75	CALL	CALL
14"	\$999.00	\$1025.00	\$1,048.75	CALL	CALL
16"	-	\$1,248.45	\$1,048.75	CALL	CALL

## SLIDE GATE Y-VALVE

Synchronized/Independent, Galvanized

- Includes (4) weather covers
- Larger sizes available upon request

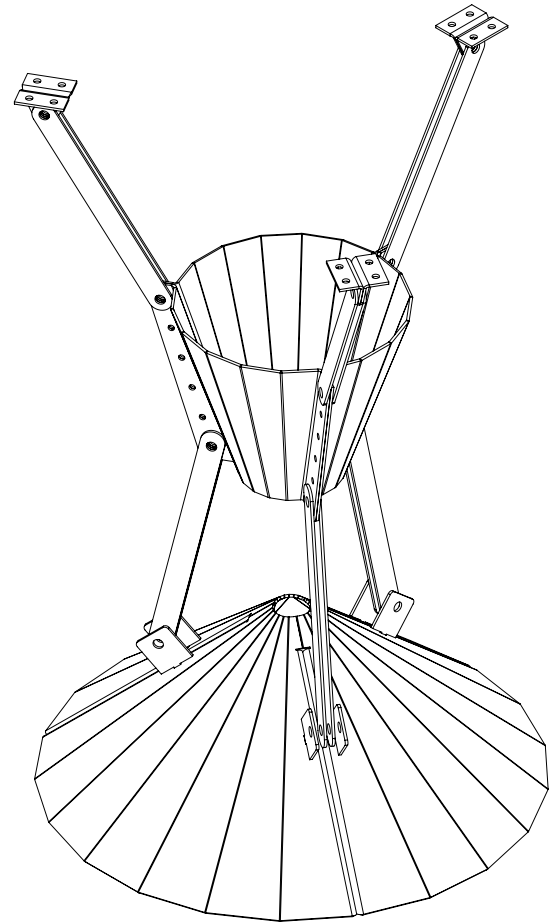


SIZE	10 GAUGE	8 GAUGE	ELECTRIC OPTION (Add)	AR LINED (Add)	1/4" CERAMIC TILE LINED (Add)
6"	\$1,347.88	-	\$2,097.50	CALL	CALL
8"	\$1,394.00	\$1,440.13	\$2,097.50	CALL	CALL
10"	\$1,491.38	\$1,565.69	\$2,097.50	CALL	CALL
12"	\$1,688.69	\$1,778.38	\$2,097.50	CALL	CALL
14"	\$1,782.26	\$1,973.13	\$2,097.50	CALL	CALL
16"	\$1,860.38	\$2,232.45	\$2,097.50	CALL	CALL

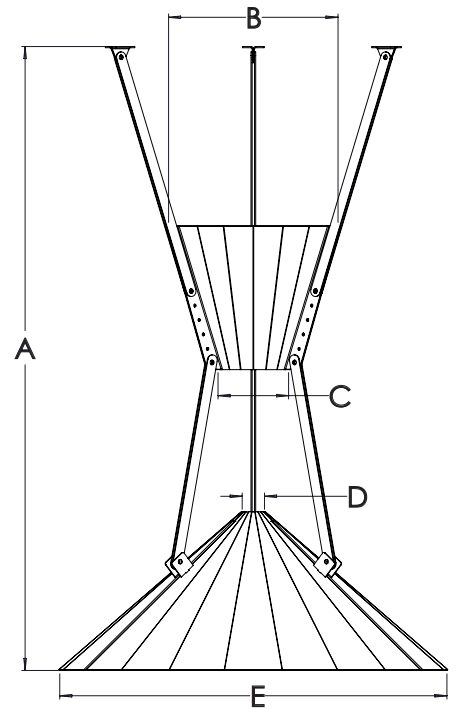
# GRAIN SPREADER

- No moving parts
- Heavy 8G Galvanized Material
- Liner options available

PART NUMBER	8 GAUGE
SPREADER48 (up to 48' bin)	\$1,200.00
SPREADER60 (up to 60' bin)	\$1,500.00



	A	B	C	D	E
up to 48'	45 1/2"	13 3/4"	5 7/8"	2 1/16"	30 1/16"
up to 60'	87"	23 5/8"	9 7/8"	3 1/8"	53 15/16"





# BIN LEVEL INDICATORS



## MODEL RH/RHX ROTARY PADDLE BIN LEVEL INDICATOR



PART NUMBER	DESCRIPTION	PRICE
40-1111-111	Rotary Paddle Power Unit (ordinary location), 115 VAC	\$196.00
40-1211-111	Rotary Paddle Power Unit (ordinary location), 230 VAC	\$207.00
40-1311-111	Rotary Paddle Power Unit (ordinary location), 24 VAC	\$236.00
40-1411-111	Rotary Paddle Power Unit (ordinary location), 12 VDC	\$218.00
40-1511-111	Rotary Paddle Power Unit (ordinary location), 24 VDC	\$218.00

PART NUMBER	DESCRIPTION	PRICE
40-1121-111	Rotary Paddle Power Unit (hazardous location), 115 VAC	\$199.00
40-1221-111	Rotary Paddle Power Unit (hazardous location), 230 VAC	\$211.00
40-1321-111	Rotary Paddle Power Unit (hazardous location), 24 VAC	\$241.00
40-1421-111	Rotary Paddle Power Unit (hazardous location), 12 VDC	\$277.00
40-1521-111	Rotary Paddle Power Unit (hazardous location), 24 VDC	\$277.00

### BLUE LEVEL TECHNOLOGY PADDLES

PART NUMBER	DESCRIPTION	PRICE
410004	Folding paddle, 1-vane Ideal use in medium to heavy material **Insertable **Direct shaft connected	\$30.00
410003	Folding paddle, 2-vane **Ideal use in medium to heavy material **Insertable **Direct shaft connected	\$35.00
410000	Standard paddle, (5") 3-vane **Ideal use in medium to heavy material **Coupling connected	\$29.00
410001	Standard paddle, large (7") 3-vane **Does not require shaft coupling on Model RH/RHX unit **Ideal use in light to medium material **Coupling connected	\$32.00
410015	Insertable paddle, "banana" **Ideal use in medium material **Insertable **Coupling connected	\$27.00
410016	Insertable paddle, 1-vane heavy duty **Ideal use in heavy material **Insertable **Coupling connected	\$27.00
410019	Paddle, 2-vane heavy duty **For use with standard coupling **Ideal use in medium and heavy material **Coupling connected	\$29.00
410020	Paddle, 4-vane heavy duty **For use with standard coupling **Ideal use in medium and heavy material **Coupling connected	\$29.00

### BLUE LEVEL TECHNOLOGY SHAFT COUPLERS

PART NUMBER	DESCRIPTION	PRICE
410013	Standard thread coupling **Accepts Blue Level and Bin Master units	\$25.00
410002	Flexible shaft coupling **For use in top mount applications with solid extension shaft	\$39.70
410021	Extension coupling for folding paddles	\$17.04
410022	Extension coupling for threaded paddles	\$17.04
410017	Guard pipe coupling, galvanized	\$17.04
410018	Guard pipe coupling, stainless steel	\$36.39

### BLUE LEVEL TECHNOLOGY SIDE MOUNTING PLATES

PART NUMBER	DESCRIPTION	PRICE
410012	Mounting plate (side), powder coated with 1-1/4" NPT half coupling	\$36.39
410012-01	Mounting plate (side), stainless steel with 1-1/4" NPT half coupling	\$59.00
410012-03	Mounting plate (side), 4.00" corrugated, galvanized with 1-1/4" half coupling	\$47.70
410012-04	Mounting plate (side), 2.66" corrugated, galvanized with 1-1/4" half coupling	\$52.38

### BLUE LEVEL TECHNOLOGY TOP MOUNTING PLATES

PART NUMBER	DESCRIPTION	PRICE
410011	Mounting plate (top), powder coated with 1-1/4" NPT half coupling	\$42.07
410011-01	Mounting plate (top), stainless steel with 1-1/4" NPT half coupling	\$64.80



# ELEVATOR BUCKETS



**4B  
Components  
Limited**

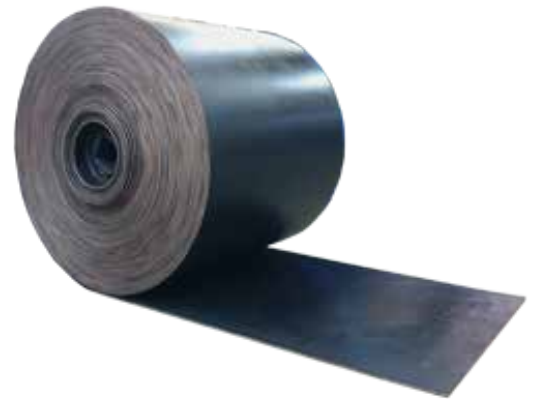
- Pricing includes punching
- #1, #2, #3, #4 venting options are available

## CC-S WHITE BUCKETS

BUCKET SIZE	PRICE	BUCKET SIZE	PRICE
3" x 2"	\$.94	10" x 7"	\$6.91
4" x 3"	\$1.49	11" x 7"	\$7.08
5" x 4"	\$1.96	12" x 7"	\$7.25
6" x 4"	\$2.09	13" x 7"	\$8.19
7" x 4"	\$2.25	14" x 7"	8.80
6" x 5"	\$2.86	15" x 7"	\$8.98
7" x 5"	\$3.13	16" x 7"	\$9.61
8" x 5"	\$3.25	10" x 8"	\$9.38
9" x 5"	\$3.32	11" x 8"	\$9.78
10" x 5"	\$3.86	12" x 8"	\$10.47
11" x 5"	\$4.13	13" x 8"	\$10.83
12" x 5"	\$4.26	14" x 8"	\$11.43
8" x 6"	\$4.13	15" x 8"	\$11.72
9" x 6"	\$4.04	16" x 8"	\$12.28
10" x 6"	\$4.35	18" x 8"	\$13.37
11" x 6"	\$4.55	20" x 8"	\$14.81
12" x 6"	\$4.75	**Nylon buckets available upon request	
13" x 6"	\$5.17		
14" x 6"	\$5.35		

## JUMBO GREY BUCKETS

BUCKET SIZE	PRICE
14" x 8"	\$18.55
16" x 8"	\$19.87
18" x 8"	\$20.65
20" x 8"	\$24.26
22" x 8"	\$25.67
24" x 8"	\$26.60
**Nylon buckets available upon request	



**WE ALSO OFFER RUBBER AND PVC BELTING!**

# DSH SYSTEM

## DUST SUPPRESSION HOPPER

# REDUCE DUST CLOUDS

LOAD OUT RATES FROM 500 TO 80,000 BPH



[lcdmcorp.com](http://lcdmcorp.com)



888-961-4881



[contact@LCDMcorp.com](mailto:contact@LCDMcorp.com)

You  
Tube  
Search For:  
**DSH  
Systems  
Ltd**



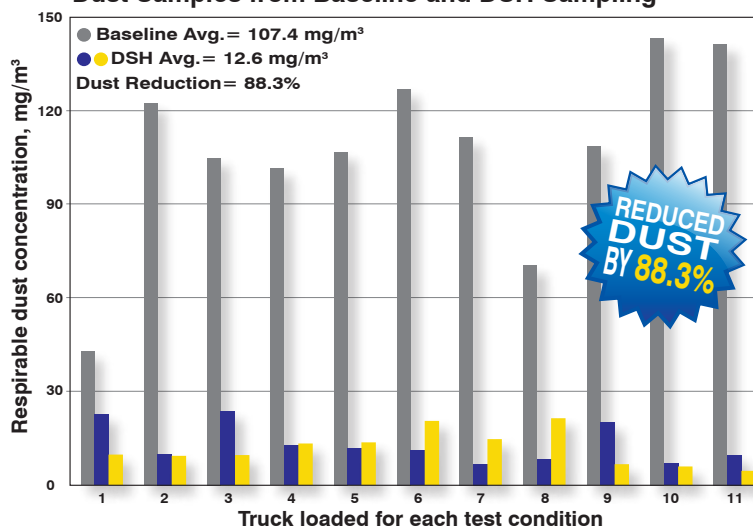
## Features & Benefits

- **NO UTILITIES** required. No internal moving parts.
- Custom sized to accommodate load out rates.
- Reduce maintenance and cleaning costs.
- **FASTER, CLEANER** truck and rail car loading.
- Reduce product shrinkage.
- Improve employee **HEALTH AND SAFETY**.
- Care for your community and environment.
- Improve air quality.

## Tested Grains & Stock Food

- |                    |                       |                   |
|--------------------|-----------------------|-------------------|
| • Barley           | • Corn gluten meal    | • Rapeseed meal   |
| • Barley moultings | • Corn gluten pellets | • Soybeans        |
| • Canola meal      | • Cotton seed meal    | • Soybean meal    |
| • Corn             | • DDG's               | • Soybean hulls   |
| • Corn germ        | • Pepsoygen           | • Soybean pellets |
| • Corn gluten      | • Sorghum             | • Wheat           |
| • Corn gluten feed |                       |                   |

Dust Samples from Baseline and DSH Sampling



The National Institute for Occupational Safety and Health (NIOSH) is the U.S. federal agency responsible for conducting research and making recommendations for the prevention of work-related injury and illness. NIOSH is part of the Centers for Disease Control and Prevention (CDC) within the U.S. Department of Health and Human Services. Sioux Steel Company is in no way affiliated with the research that was conducted. This independent study conducted solely between the NIOSH and their customers.

## SUMP SAVER



**Unplug your bin from the seat of your tractor!**

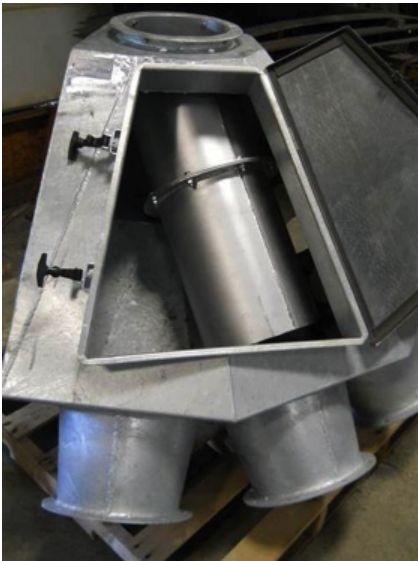
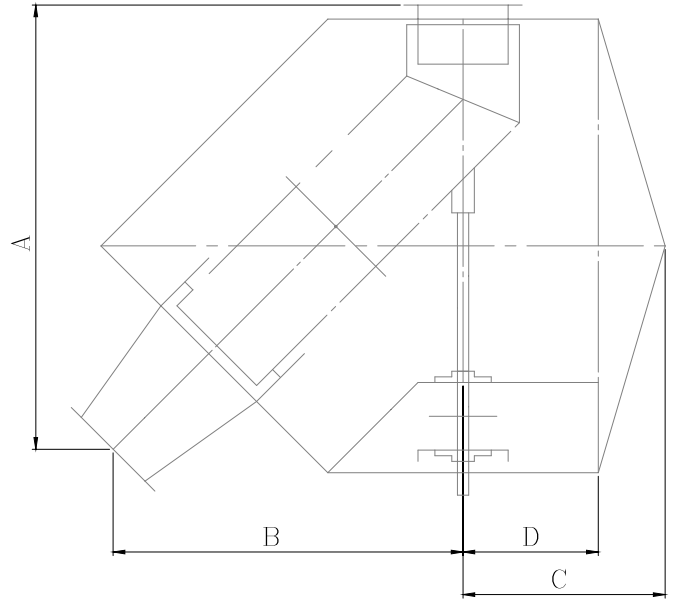


- The Sump Saver is designed to break up clumps and other obstacles approaching the center grain sump.
- This lets the farmer safely break up clumps and obstacles without entering the bin.
- Powered by a hydraulic motor (up to 6000 inch pounds of torque)
- ½" "clearing fingers" that rotate forward and reverse

**Mighty Mini (15' bin through 60'): \$1,599/ea.**

**\*\*Call for pricing for bins above 60'\*\***

# FLAT BACK DISTRIBUTOR



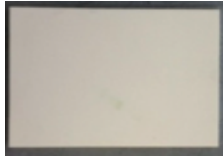
SIZE	NUMBER OF OUTLETS	A	B	C	D
8"	4	30 15/16"	22 9/16"	12"	12
8"	6	30 15/16"	22 9/16"	17 15/16"	12
8"	8	42 15/16"	34 9/16"	12"	12
8"	10	42 15/16"	34 9/16"	20 13/16"	12
10"	4	35 9/16"	26 3/4"	12"	12
10"	6	35 9/16"	26 3/4"	20 9/16"	12
10"	8	50 7/16"	41 11/16"	12"	12
10"	10	50 7/16"	41 11/16"	25 5/16"	12
12"	4	40 7/16"	31 3/16"	12"	12
12"	6	40 7/16"	31 3/16"	25 13/16"	12
12"	8	52 15/16"	43 11/16"	15"	15
12"	10	52 15/16"	43 11/16"	27 3/16"	15
14"	4	45 5/16"	35 11/16"	14"	14
14"	6	45 5/16"	35 11/16"	20 3/4"	14
14"	8	60 5/16"	50 11/16"	16"	16
14"	10	60 5/16"	50 11/16"	31 11/16"	16

• CALL FOR PRICING •

# LINING MATERIAL

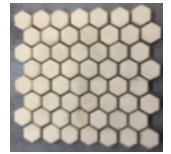
## CERAMIC TILE AND ADHESIVES

### PLAIN CERAMIC TILE



SIZE	PRICE
1/4" x 4" x 6"	\$1.61
1/4" x 2" x 6"	\$0.56
1/4" x 1" x 6"	\$0.29
1/4" x 1" x 4"	\$0.23
1/2" x 4" x 6"	\$2.13

### HEX CERAMIC TILE



SIZE	PRICE
1/4" x 6" x 6"	\$3.81
1/2" x 6" x 6"	\$5.44

• Colored tile (pink or brown) is available for equipment handling rice. Please call for pricing.

## ADHESIVE/EPOXY KITS

### 2-PART EPOXY



This product is an industry standard epoxy tile adhesive. This product will have the strongest bond when installing plain or hex ceramic tiles. This product is formulated to provide a strong bond to most ceramic, metal, concrete, fiberglass and/or wood surfaces.

- Hex ceramic tiles
- Plain ceramic tiles
- Weldable ceramic tiles

**\$162.50/ea. KIT**

### 2-PART EPOXY with Ceramic Beads



This product is a specially formulated epoxy paste blended with small ceramic beads to help preserve the life of a particular product. Used for patching and repairing worn metal that is exposed to an abrasive environment.

- Pipe Elbows
- Cyclones
- Hoppers/Chutes
- Dust Collection Systems
- Grain Bins

**\$199/ea. KIT**

# LINING MATERIAL

## URETHANE AND UHMW LINER MATERIAL

### BLUE URETHANE (4' x 10' SHEET)

THICKNESS	PLAIN BACK	FABRIC BACKED	EXPANDED METAL BACKED	CERAMIC CHIP
1/4"	\$374.00	\$408.00	\$374.00	Call
5/16"	\$437.00	\$495.00	\$437.00	Call
3/8"	\$537.00	\$607.00	\$537.00	Call

### RED KRYPTANE (4' x 10' SHEET)

THICKNESS	PLAIN BACK	FABRIC BACKED	EXPANDED METAL BACKED
1/4"	\$568.00	\$542.00	\$603.00
5/16"	\$697.00	\$663.00	\$720.00
3/8"	\$838.00	\$787.00	\$838.00

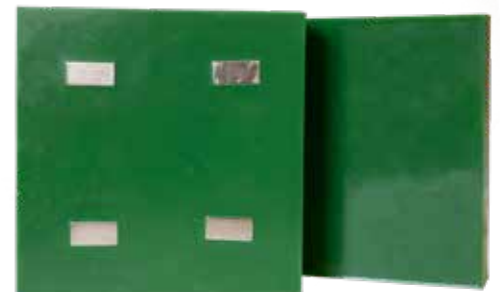


### MAGNETIC PATCH

· For flat surfaces

### UHMW SHEETS (4' x 10' SHEET)

THICKNESS	WHITE VIRGIN	BLACK REPRO
1/8"	\$170.00	\$144.00
1/4"	\$344.00	\$286.00
1/2"	\$694.00	\$499.00



\$70.00 each

**Larger sized sheets and rolls  
are available upon request!**

# LCDM CUSTOM DESIGN

## Custom Designs to meet the Customer's needs



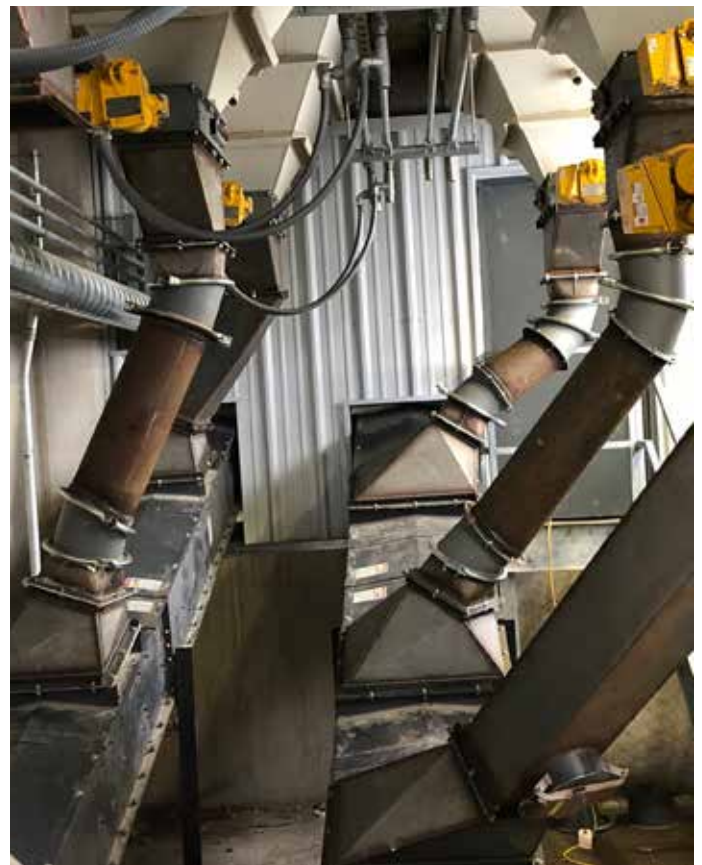
LCDM provides in-house 3D design support for our customers. We pride ourselves in designing new and modernized products. Our staff is highly skilled, trained, and certified in SolidWorks, which makes visualizing your ideas simple! We are dedicated to making your dream a reality, and are more than capable of answering even your toughest questions in grain system design. There is nothing too simple or difficult for the LCDM team!

## People turn to LCDM for:

- Application specific components
- Transforming ideas to real products
- Manufacturing suggestions and industry solutions

## Industries served:

- Agriculture
- Food and Spices
- Coal
- Malting and Distilling
- Aggregates





# ENGINEERING AND JOBSITE LAYOUT

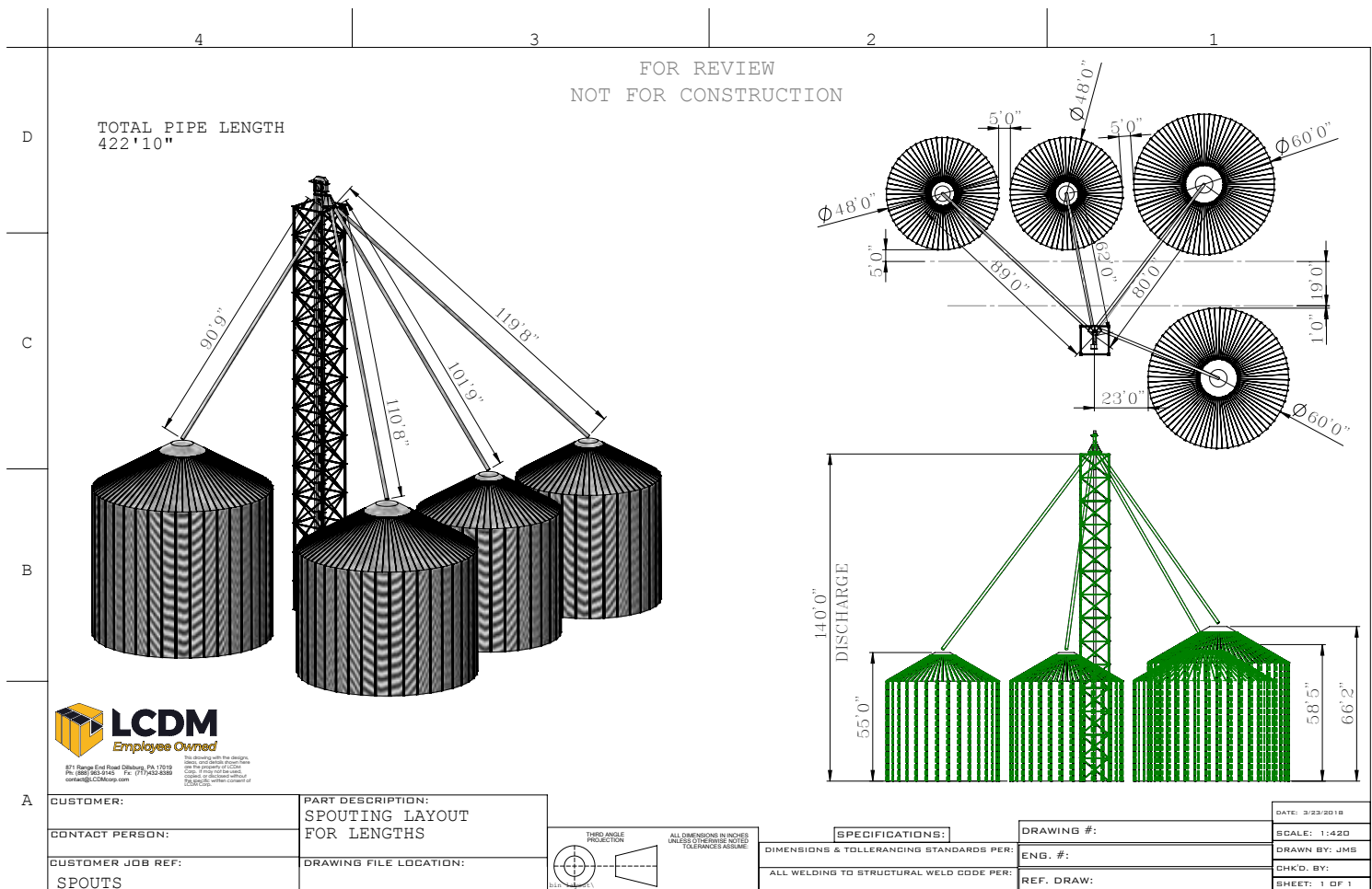
Engineering for the Future



Similar to our custom designs, LCDM provides customer support for jobsite layouts, equipment specs, and technical support for your project needs! With our 40+ years of industry knowledge, LCDM is able to help its customers become more efficient and save them money to help them close the deal with their customer!

## Services offered include:

- 3D concept drawings
- 3D construction drawings
- Complete system design
- Technical support on equipment specs (bins/elevators/drags/etc.)



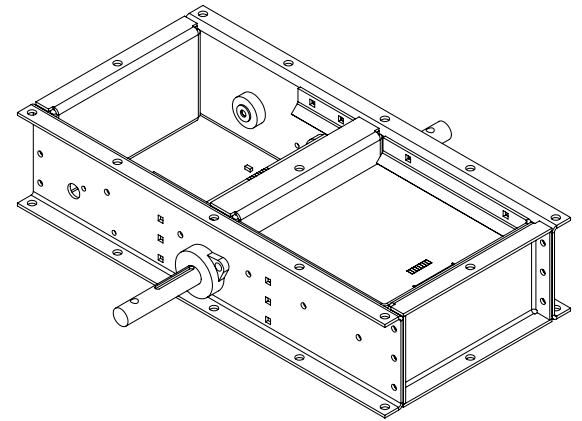
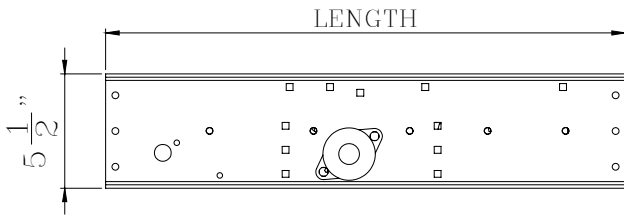
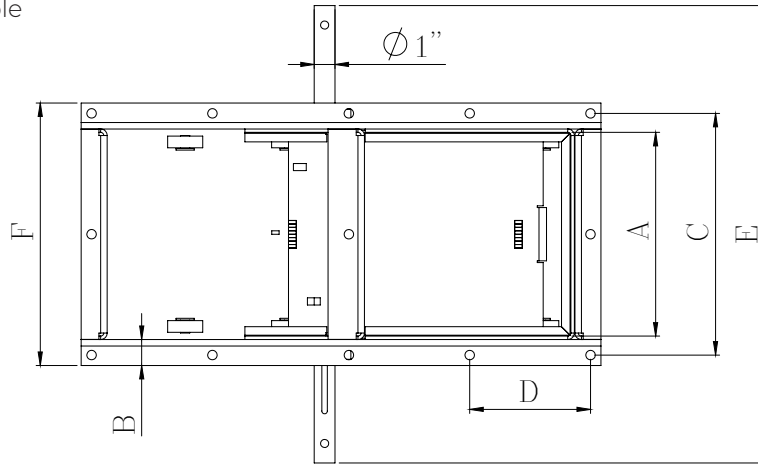


# **LCDM**

## **Product Dimensions and Specifications**



CAD Models Available  
Overlay and Layouts Available



**MANUAL**

PART NUMBER	(A) NOMINAL SIZE	B	C	D	E	F	G	LENGTH	OVERALL LENGTH
GTRS06xxx	6	1--1/4	7--5/8	3--13/16	18	8--5/8	-	17	-
GTRS08xxx	8	1--1/4	9--5/8	4--13/16	20	10--5/8	-	21	-
GTRS10xxx	10	1--1/4	11--5/8	5--13/16	22	12--5/8	-	25	-
GTRS12xxx	12	1--1/2	14	4--21-32	24	15--1/8	-	29--1/2	-
GTRS14xxx	14	1--1/2	16	4	26	17--1/8	-	33--1/2	-
GTRS16xxx	16	1--1/2	18	4--1/2	28	19--1/8	-	37--1/2	-
GTRS18xxx	18	1--1/2	20	5	30	21--1/8	-	41--1/2	-
GTRS20xxx	20	1--1/2	22	5--1/2	32	23--1/8	-	45--1/2	-
GTRS22xxx	22	1--1/2	24	4	34	25--1/8	-	49--1/2	-
GTRS24xxx	24	1--1/2	26	4--21-64	36	27--1/8	-	53--1/2	-

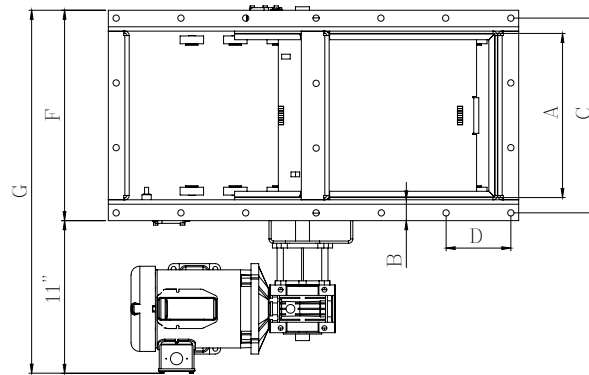
# SLIDE GATES



\* SIGNATURE PRODUCT \*

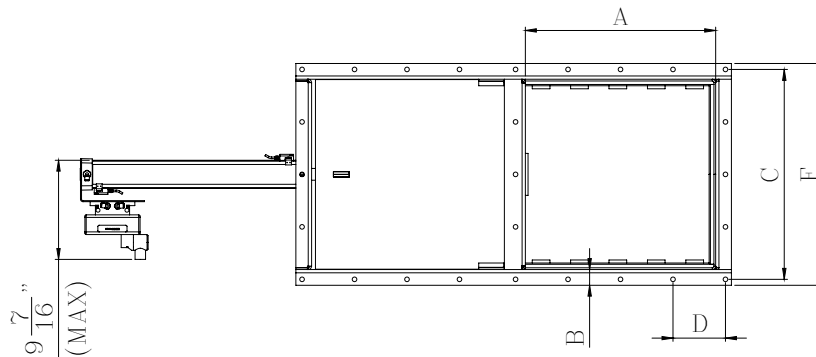


CAD Models Available  
Overlay and Layouts Available



## ELECTRIC

PART NUMBER	(A)NOMINAL SIZE	B	C	D	E	F	G	LENGTH	OVERALL LENGTH
GTRS06xxx-Ex	6	1--1/4	7--5/8	3--13/16	-	8--5/8	19--5/8	17	-
GTRS08xxx-Ex	8	1--1/4	9--5/8	4--13/16	-	10--5/8	21--5/8	21	-
GTRS10xxx-Ex	10	1--1/4	11--5/8	5--13/16	-	12--5/8	23--5/8	25	-
GTRS12xxx-Ex	12	1--1/2	14	4--21-32	-	15--1/8	26--1/8	29--1/2	-
GTRS14xxx-Ex	14	1--1/2	16	4	-	17--1/8	28--1/8	33--1/2	-
GTRS16xxx-Ex	16	1--1/2	18	4--1/2	-	19--1/8	30--1/8	37--1/2	-
GTRS18xxx-Ex	18	1--1/2	20	5	-	21--1/8	32--1/8	41--1/2	-
GTRS20xxx-Ex	20	1--1/2	22	5--1/2	-	23--1/8	34--1/8	45--1/2	-
GTRS22xxx-Ex	22	1--1/2	24	4	-	25--1/8	36--1/8	49--1/2	-
GTRS24xxx-Ex	24	1--1/2	26	4--21-64	-	27--1/8	38--1/8	53--1/2	-



## PNEUMATIC

PART NUMBER	(A)NOMINAL SIZE	B	C	D	E	F	G	LENGTH	OVERALL LENGTH
GTPS06xxxx	6	1--1/4	7--5/8	3--13/16	-	8--5/8	-	17	25--3/4
GTPS08xxxx	8	1--1/4	9--5/8	4--13/16	-	10--5/8	-	21	35--3/4
GTPS10xxxx	10	1--1/4	11--5/8	5--13/16	-	12--5/8	-	25	39--3/4
GTPS12xxxx	12	1--1/2	14	4--21-32	-	15--1/8	-	29--1/2	44
GTPS14xxxx	14	1--1/2	16	4	-	17--1/8	-	33--1/2	49--7/8
GTPS16xxxx	16	1--1/2	18	4--1/2	-	19--1/8	-	37--1/2	56
GTPS18xxxx	18	1--1/2	20	5	-	21--1/8	-	41--1/2	62
GTPS20xxxx	20	1--1/2	22	5--1/2	-	23--1/8	-	45--1/2	68--3/8
GTPS22xxxx	22	1--1/2	24	4	-	25--1/8	-	49--1/2	80--5/8
GTPS24xxxx	24	1--1/2	26	4--21-64	-	27--1/8	-	53--1/2	80--5/9

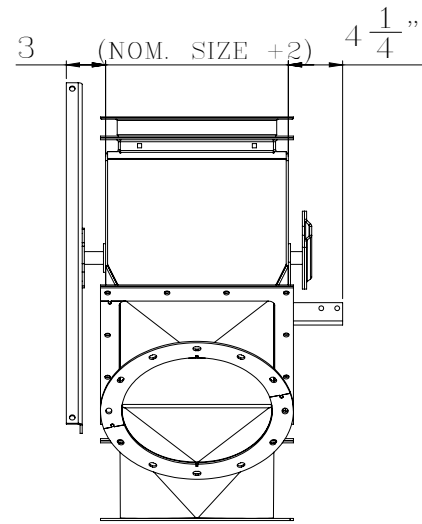
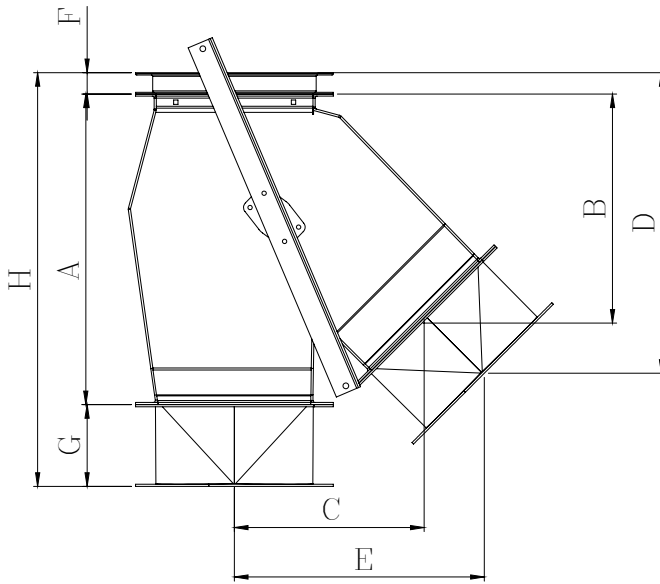
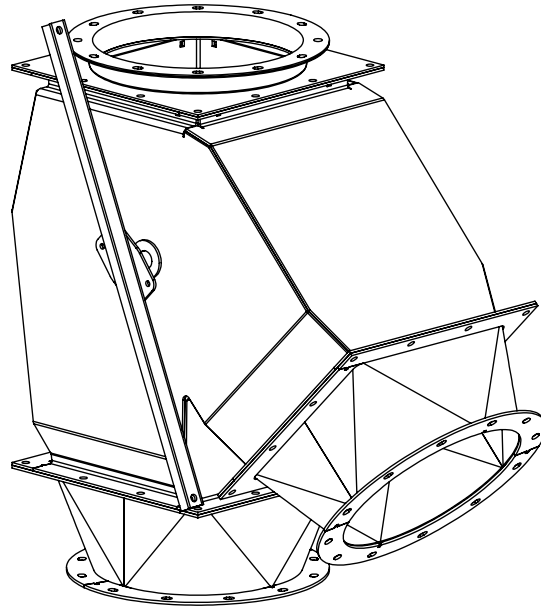


# FULL FLOW PAN STYLE K-VALVES

\* SIGNATURE PRODUCT \*



CAD Models Available  
Overlay and Layouts Available



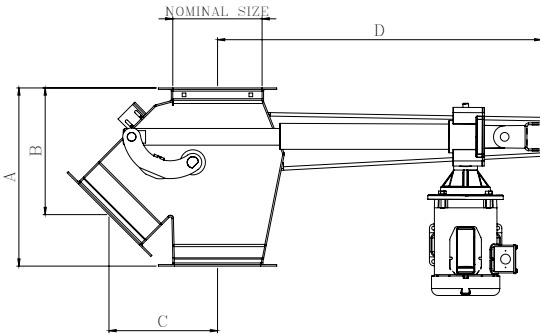
## MANUAL

PART NUMBER	NOMINAL SIZE	A	B	C	D	E	F	G	H
VAKS06xx45xx	6	13	9--3/8	8--1/8	14--7/16	11--3/4	1--3/8	5--1/4	19--5/8
VAKS08xx45xx	8	16	11--3/8	9--3/4	16--7/16	13--5/16	1--3/8	5--1/4	22--5/8
VAKS10xx45xx	10	19--7/8	14--1/4	12--5/8	19--5/16	16--7/16	1--3/8	5--1/4	26--1/2
VAKS12xx45xx	12	23--3/4	17	15--1/4	23	19--5/8	1--5/8	6--1/4	31--5/8
VAKS14xx45xx	14	27--3/4	19--3/4	17	24	21--5/16	1--5/8	6--1/4	35--5/8
VAKS16xx45xx	16	-----CONSULT FACTORY-----							

# FULL FLOW PAN STYLE K-VALVES

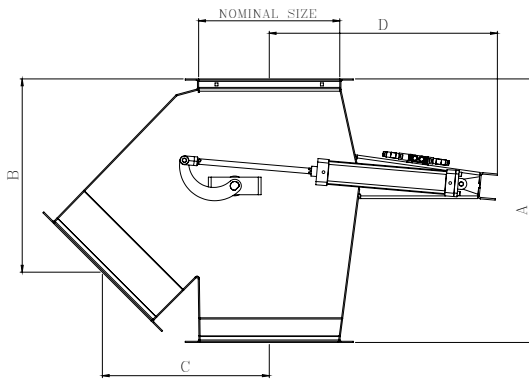


**\* SIGNATURE PRODUCT \***



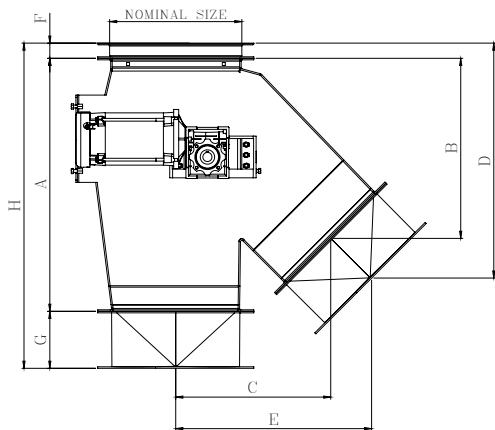
## ELECTRIC (ACTUATOR DRIVE)

PART NUMBER	NOMINAL SIZE	A	B	C	D
VAKS06xx45xx-Ex	6	13	9--3/8	8--1/8	29
VAKS08xx45xx-Ex	8	16	11--3/8	9--3/4	29--1/8
VAKS10xx45xx-Ex	10	19--7/8	14--1/4	12--5/8	28--3/4
VAKS12xx45xx-Ex	12	23--3/4	17	15--1/4	28--5/16
VAKS14xx45xx-Ex	14	27--3/4	19--3/4	17	27--7/8
VAKS16xx45xx-Ex	16	-----CONSULT FACTORY-----			



## PNEUMATIC

PART NUMBER	NOMINAL SIZE	A	B	C	D
VAKS06xx45xx-P	6	13	9--3/8	8--1/8	30
VAKS08xx45xx-P	8	16	11--3/8	9--3/4	30--1/2
VAKS10xx45xx-P	10	19--7/8	14--1/4	12--5/8	29--1/2
VAKS12xx45xx-P	12	23--3/4	17	15--1/4	29--1/2
VAKS14xx45xx-P	14	27--3/4	19--3/4	17	28
VAKS16xx45xx-P	16	-----CONSULT FACTORY-----			



## ELECTRIC (ACTUATOR DRIVE)

PART NUMBER	NOMINAL SIZE	A	B	C	D	E	F	G	H
VAKS06xx45GG	6	13	9--3/8	8--1/8	14--7/16	11--3/4	1--3/8	5--1/4	19--5/8
VAKS08xx45GG	8	16	11--3/8	9--3/4	16--7/16	13--5/16	1--3/8	5--1/4	22--5/8
VAKS10xx45GG	10	19--7/8	14--1/4	12--5/8	19--5/16	16--7/16	1--3/8	5--1/4	26--1/2
VAKS12xx45GG	12	23--3/4	17	15--1/4	23	19--5/8	1--5/8	6--1/4	31--5/8
VAKS14xx45GG	14	27--3/4	19--3/4	17	24	21--5/16	1--5/8	6--1/4	35--5/8
VAKS16xx45GG	16	-----CONSULT FACTORY-----							

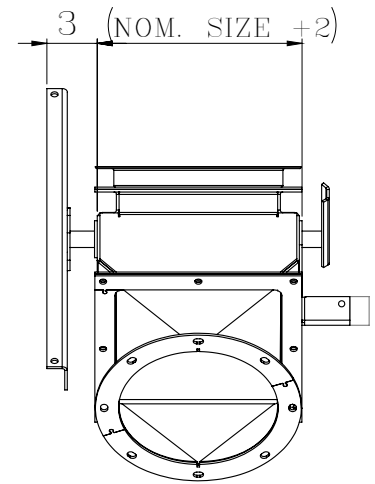
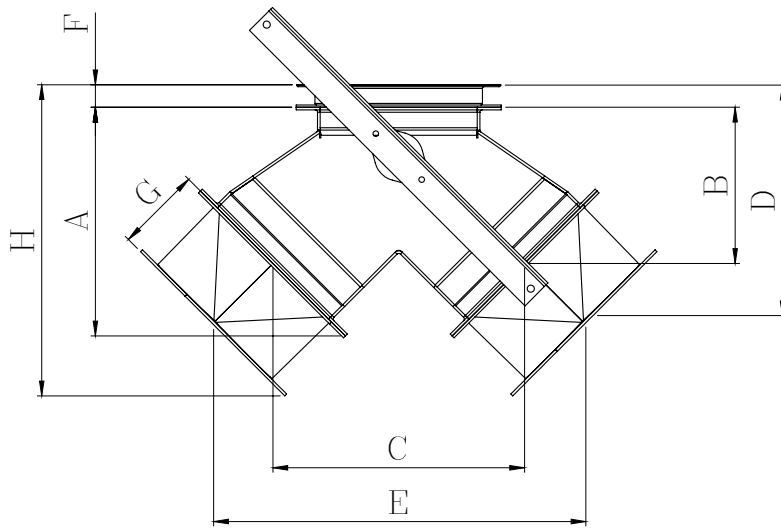
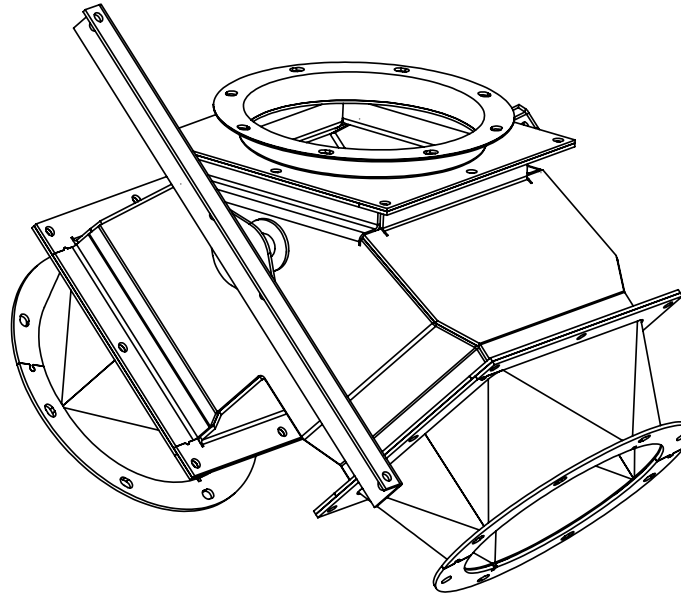


# FULL FLOW PAN STYLE Y-VALVES

\* SIGNATURE PRODUCT \*



CAD Models Available  
Overlay and Layouts Available



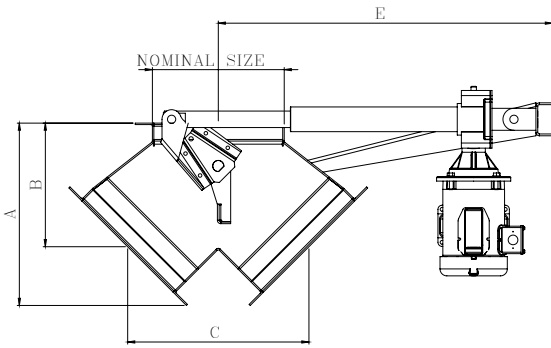
## MANUAL

PART NUMBER	NOMINAL SIZE	A	B	C	D	E	F	G	H
VAYS06xx45xx	6	10	7	10	12	17--7/16	1--3/8	5--1/4	15--1/8
VAYS08xx45xx	8	11--3/8	7--5/8	11--7/8	12--5/8	19--1/4	1--3/8	5--1/4	16--1/2
VAYS10xx45xx	10	14	9--5/8	15--1/2	14--5/8	23	1--3/8	5--1/4	19--1/8
VAYS12xx45xx	12	16--5/8	11--1/4	16--1/2	17--5/16	25--5/16	1--5/8	6--1/4	22--5/8
VAYS14xx45xx	14	18--1/2	12--1/4	18--1/2	18--5/8	27--5/16	1--5/8	6--1/4	24--5/8
VAYS16xx45xx	16	-----CONSULT FACTORY-----							

# FULL FLOW PAN STYLE Y-VALVES

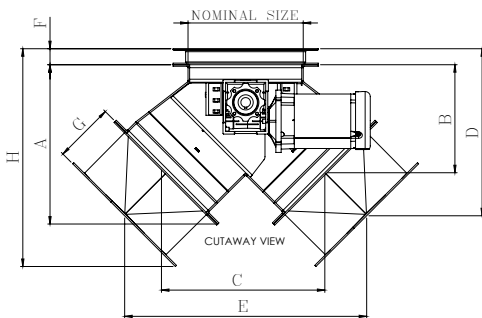


\* SIGNATURE PRODUCT \*



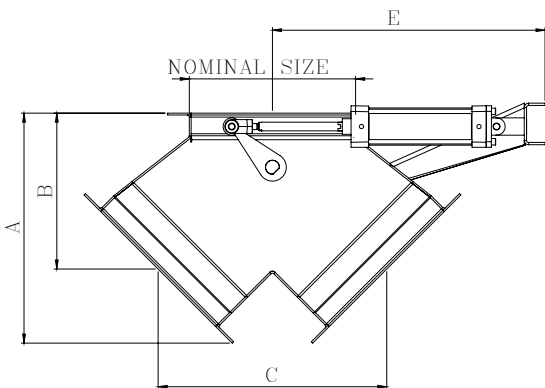
## ELECTRIC (ACTUATOR DRIVE)

PART NUMBER	NOMINAL SIZE	A	B	C	D	E
VAYS06xx45GE	6	10	7	10	12	---
VAYS08xx45GE	8	11--3/8	7--5/8	11--7/8	12--5/8	---
VAYS10xx45GE	10	14	9--5/8	15--1/2	14--5/8	---
VAYS12xx45GE	12	16--5/8	11--1/4	16--1/2	17--5/16	30--1/2
VAYS14xx45GE	14	18--1/2	12--1/4	18--1/2	18--5/8	---
VAYS16xx45GE	16	-----CONSULT FACTORY-----				



## ELECTRIC (GEAR DRIVE)

PART NUMBER	NOMINAL SIZE	A	B	C	D	E	F	G	H
VAYS06xx45GG	6	10	7	10	12	17--7/16	1--3/8	5--1/4	15--1/8
VAYS08xx45GG	8	11--3/8	7--5/8	11--7/8	12--5/8	19--1/4	1--3/8	5--1/4	16--1/2
VAYS10xx45GG	10	14	9--5/8	15--1/2	14--5/8	23	1--3/8	5--1/4	19--1/8
VAYS12xx45GG	12	16--5/8	11--1/4	16--1/2	17--5/16	25--5/16	1--5/8	6--1/4	22--5/8
VAYS14xx45GG	14	18--1/2	12--1/4	18--1/2	18--5/8	27--5/16	1--5/8	6--1/4	24--5/8
VAYS16xx45GG	16	-----CONSULT FACTORY-----							



## PNEUMATIC

PART NUMBER	NOMINAL SIZE	A	B	C	D	E
VAYS06xx45xx	6	10	7	10	12	---
VAYS08xx45xx	8	11--3/8	7--5/8	11--7/8	12--5/8	---
VAYS10xx45xx	10	14	9--5/8	15--1/2	14--5/8	---
VAYS12xx45xx	12	16--5/8	11--1/4	16--1/2	17--5/16	19--3/4
VAYS14xx45xx	14	18--1/2	12--1/4	18--1/2	18--5/8	---
VAYS16xx45xx	16	-----CONSULT FACTORY-----				



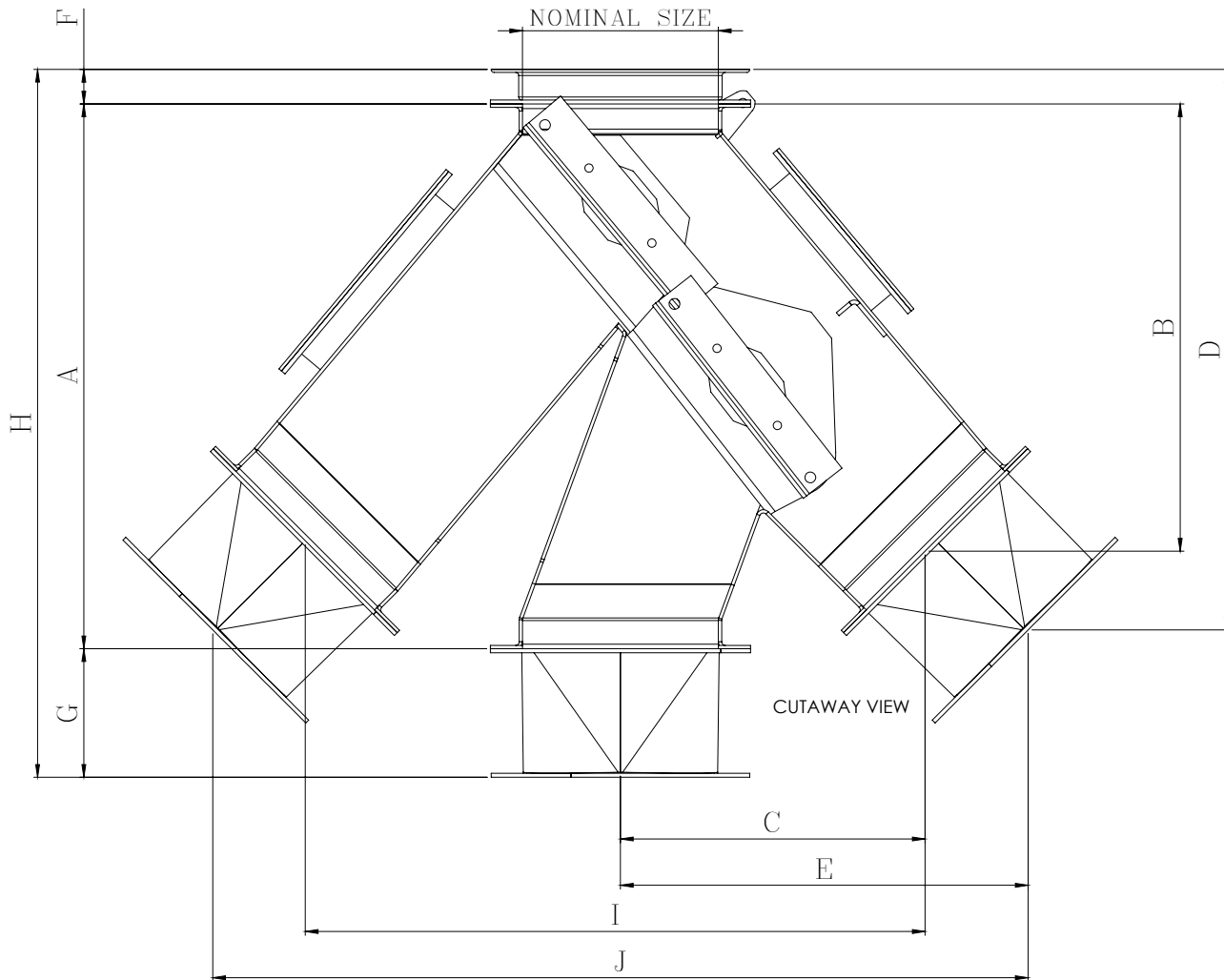


# FULL FLOW PAN STYLE 3-WAY VALVES

\* SIGNATURE PRODUCT \*



CAD Models Available  
Overlay and Layouts Available



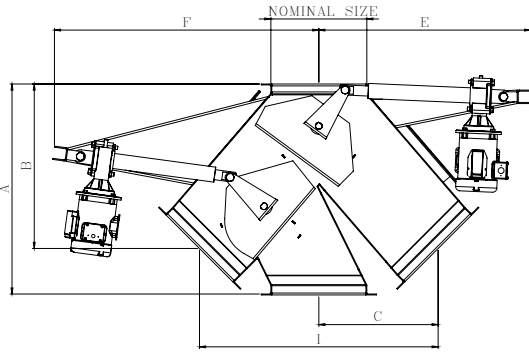
## MANUAL

PART NUMBER	NOMINAL SIZE	A	B	C	D	E	F	G	H	I	J
VATS06xx45xx	6	17-1/2	17-7/8	39698	17-7/16	13-1/2	1--3/8	5--1/4	24-1/8	19-5/8	27-1/8
VATS08xx45xx	8	22-1/4	17-7/8	13-1/2	23	17	1--3/8	5--1/4	29	25-5/8	33-1/8
VATS10xx45xx	10	27-3/4	23	17-1/8	27-5/8	20-5/8	1--3/8	5--1/4	34-7/16	34	41-5/16
VATS12xx45xx	12	29	23-5/16	16	29	20-3/8	1--5/8	6--1/4	37	30-5/8	39-1/2
VATS14xx45xx	14	31-3/8	24-3/4	17-3/4	30-1/2	22-1/4	1--5/8	6--1/4	39-3/8	35-3/4	44-1/2
VATS16xx45xx	16	38-5/8	31-3/8	20-3/4	39-1/2	27-3/4	1--5/8	6--1/4	50-1/4	41-1/2	55-5/8

# FULL FLOW PAN STYLE 3-WAY VALVES

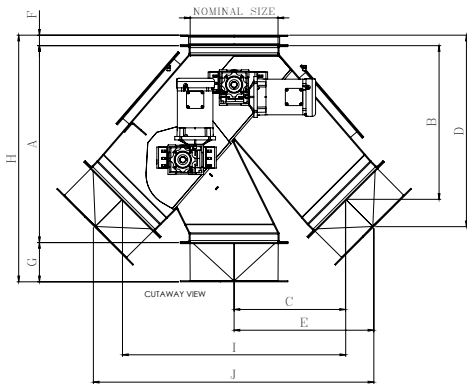


\* SIGNATURE PRODUCT \*



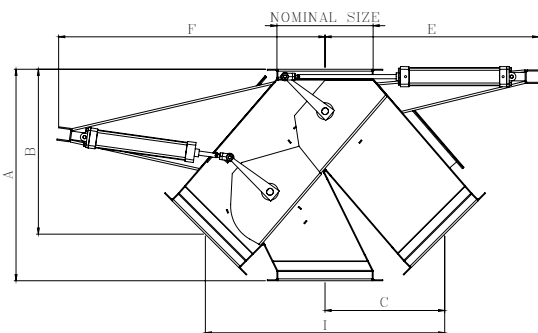
## ELECTRIC (ACTUATOR DRIVE)

PART NUMBER	NOMINAL SIZE	A	B	C	D	E	F	I
VATS06xx45xx	6	17-1/2	17-7/8	39698	17-7/16	29--1/2	33--1/8	19-5/8
VATS08xx45xx	8	22-1/4	17-7/8	13-1/2	23	---	---	25-5/8
VATS10xx45xx	10	27-3/4	23	17-1/8	27-5/8	---	---	34
VATS12xx45xx	12	29	23-5/16	16	29	31--1/2	38--5/16	30-5/8
VATS14xx45xx	14	31-3/8	24-3/4	17-3/4	30-1/2	31--1/2	39--5/16	35-3/4
VATS16xx45xx	16	38-5/8	31-3/8	20-3/4	39-1/2	31--1/2	41	41-1/2



## ELECTRIC (GEAR DRIVE)

PART NUMBER	NOMINAL SIZE	A	B	C	D	E	F	G	H	I	J
VATS060845GG	6	17-1/2	17-7/8	39698	17-7/16	13-1/2	1--3/8	5--1/4	24-1/8	19-5/8	27-1/8
VATS080845GG	8	22-1/4	17-7/8	13-1/2	23	17	1--3/8	5--1/4	29	25-5/8	33-1/8
VATS100845GG	10	27-3/4	23	17-1/8	27-5/8	20-5/8	1--3/8	5--1/4	34-7/16	34	41-5/16
VATS120845GG	12	29	23-5/16	16	29	20-3/8	1--5/8	6--1/4	37	30-5/8	39-1/2
VATS140845GG	14	31-3/8	24-3/4	17-3/4	30-1/2	22-1/4	1--5/8	6--1/4	39-3/8	35-3/4	44-1/2
VATS160845GG	16	38-5/8	31-3/8	20-3/4	39-1/2	27-3/4	1--5/8	6--1/4	50-1/4	41-1/2	55-5/8

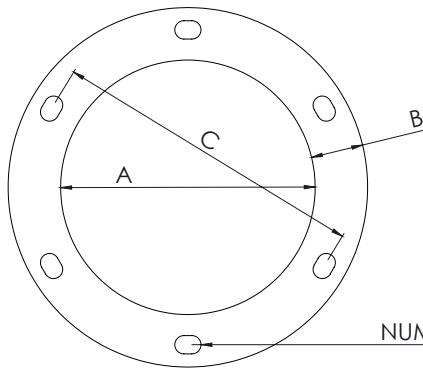


## PNEUMATIC

PART NUMBER	NOMINAL SIZE	A	B	C	D	E	F	I
VATS06xx45xx	6	17-1/2	17-7/8	39698	17-7/16	---	33--1/8	19-5/8
VATS08xx45xx	8	22-1/4	17-7/8	13-1/2	23	---	---	25-5/8
VATS10xx45xx	10	27-3/4	23	17-1/8	27-5/8	---	---	34
VATS12xx45xx	12	29	23-5/16	16	29	---	---	30-5/8
VATS14xx45xx	14	31-3/8	24-3/4	17-3/4	30-1/2	31--5/8	39--1/2	35-3/4
VATS16xx45xx	16	38-5/8	31-3/8	20-3/4	39-1/2	---	---	41-1/2

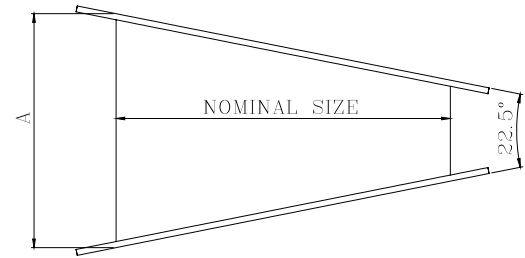
# PRODUCT DIMENSIONS AND SPECIFICATIONS

## ANGLE IRON RINGS (FLAR)



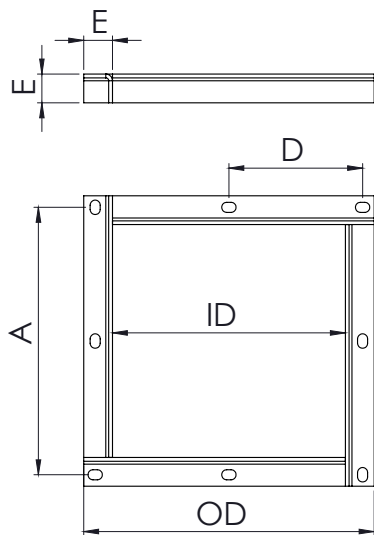
SIZES 6"-10" ARE: 13/32" SLOT X 5/8" HOLE  
 SIZES 12"-24" ARE: 3/16" SLOT X 7/16" HOLE  
 RING HEIGHT IS SAME AS DIMENSION B

## ADJUSTABLE ELBOW (ELTE)



SIZE	A	B	C	# HOLES	WEIGHT
6"	6 1/16"	1 1/4"	7 1/2"	6	1.8
8"	8 1/16"	1 1/4"	9 1/2"	8	2.3
10"	10 1/16"	1 1/4"	11 1/2"	8	2.8
12"	12 1/8"	1 1/2"	13 13/16"	12	6
14"	14 1/8"	1 1/2"	15 13/16"	12	7
16"	16 1/8"	1 1/2"	18 1/8"	16	8
18"	18 1/8"	1 1/2"	20 1/8"	16	8.5
20"	20 1/8"	1 1/2"	22 1/8"	20	9.5
22"	22 3/8"	1 1/2"	24 1/8"	20	10.8
24"	24 3/8"	1 1/2"	26 1/8"	20	11.5

SIZE	A
6"	5"
8"	6"
10"	7"
12"	8"
14"	9"
16"	10"



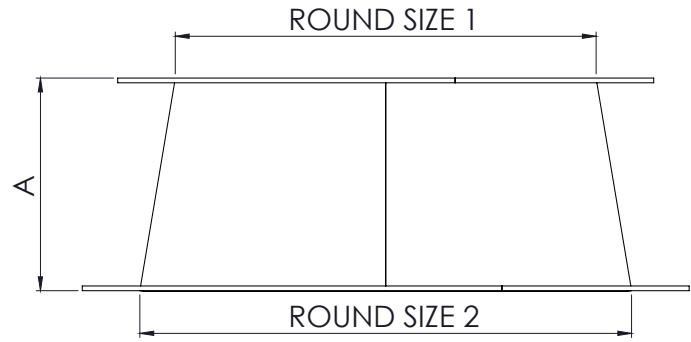
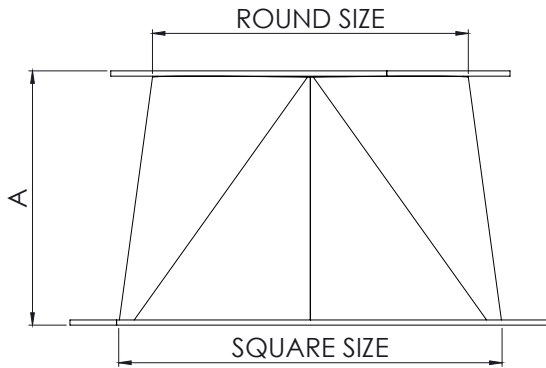
## ANGLE IRON FLANGE (FLAS)

SIZE	A	O.D.	I.D.	D	E
6"	7 5/8"	8 5/8"	6 1/8"	3 13/16"	1 1/4"
8"	9 5/8"	10 5/8"	8 1/8"	4 13/16"	1 1/4"
10"	11 5/8"	12 5/8"	10 1/8"	5 13/16"	1 1/4"
12"	14"	15 1/8"	12 1/8"	4 21/32"	1 1/2"
14"	16"	17 1/8"	14 1/8"	4"	1 1/2"
16"	18"	19 1/8"	16 1/8"	4 1/2"	1 1/2"
18"	20"	21 1/8"	18 1/8"	5"	1 1/2"
20"	22"	23 1/8"	20 1/8"	5 1/2"	1 1/2"
22"	24"	25 1/8"	22 1/8"	4"	1 1/2"
24"	26"	27 1/8"	24 1/8"	4 21/64"	1 1/2"

ALL SIZES: 5/8" SLOT X 7/16" HOLE

# PRODUCT DIMENSIONS AND SPECIFICATIONS

## SQUARE TO ROUND (TRSR) AND SQUARE TO SQUARE (TRSS) TRANSITIONS



SQUARE	ROUND	HEIGHT
6"	6"	5 1/4"
8"	6"	6 3/4"
8"	8"	5 1/4"
10"	8"	6 3/4"
10"	10"	5 1/4"
12"	10"	8"
12"	12"	6 1/4"
14"	10"	10"
14"	12"	10"
14"	14"	6 1/4"
16"	10"	10"
16"	12"	10"
16"	14"	10"
16"	16"	10"
18"	14"	10"
18"	16"	10"
18"	18"	10"
20"	16"	10"
20"	18"	10"
20"	20"	10"
24"	20"	10"
24"	22"	10"
24"	24"	10"

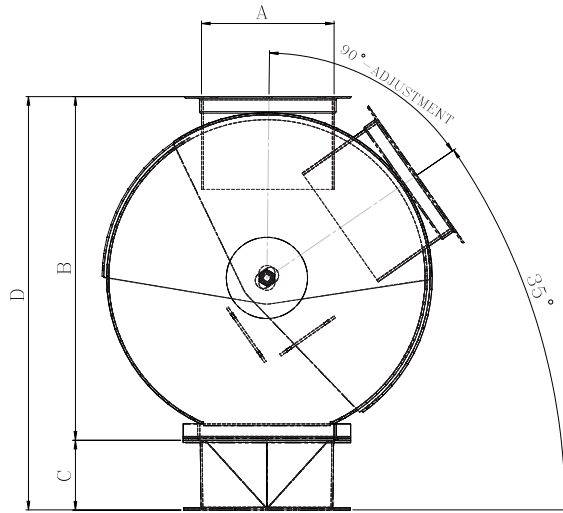
### ROUND TO ROUND REDUCERS

- 2" Reduction Reducers are 6" tall
- 4" Reduction Reducers are 12" tall
- 6" Reduction Reducers are 18" tall

• Square to Round and Square to Square Transitions have the same height.

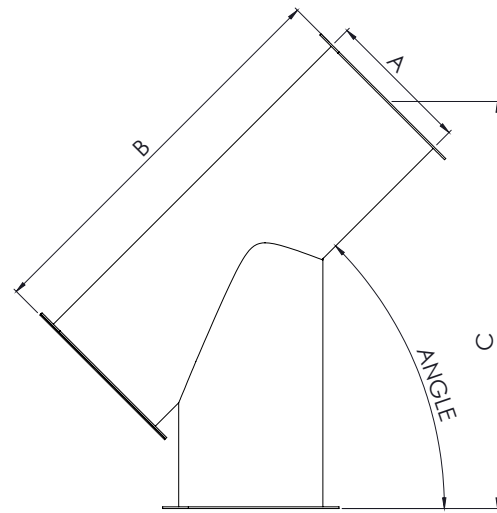
# PRODUCT DIMENSIONS AND SPECIFICATIONS

## ROUND CUSHION BOX (DBAC)



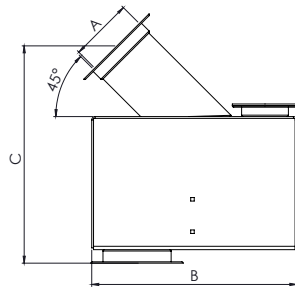
SIZE (A)	B	C
6"	20 5/8"	7 3/8"
8"	22 3/8"	9 3/8"
10"	26"	11 3/8"
12"	30 7/8"	13 3/8"
14"	31"	15 3/8"
16"	38 3/4"	17 3/8"

## PIPE DEADBOX 45° (DBFP)



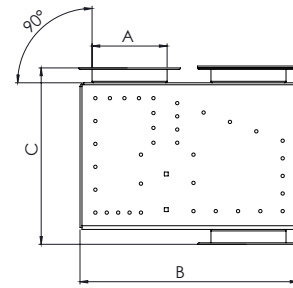
SIZE (A)	B	C
6"	18.4"	19"
8"	23.3"	24.3"
10"	28.5"	29.5"
12"	33.7"	35.2"
14"	38.7"	40.4"

## BOX STYLE DEADBOX 45° (DBFB45)



SIZE (A)	B	C
6"	18 11/16"	20 11/16"
8"	24 5/16"	26 3/16"
10"	30"	31 13/16"
12"	35 11/16"	35 5/16"
14"	41 3/8"	38 7/8"

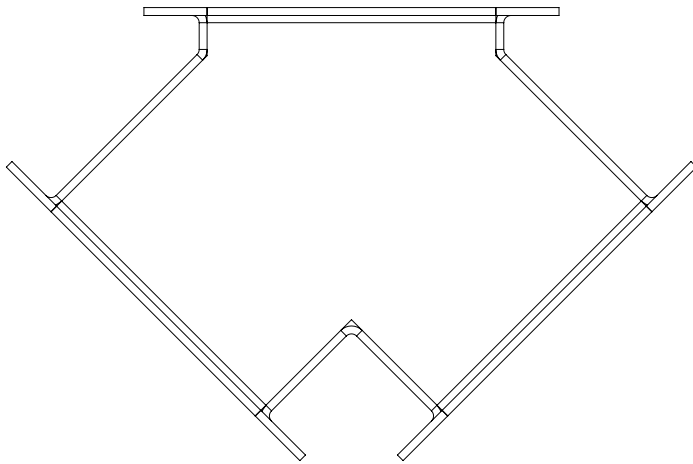
## BOX STYLE DEADBOX 90° (DBFB90)



SIZE (A)	B	C
6"	18"	16"
8"	22"	20"
10"	26"	24"
12"	30"	26"
14"	34"	28"

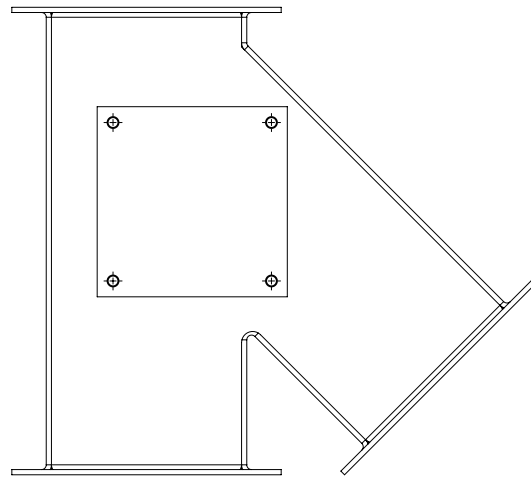
# PRODUCT DIMENSIONS AND SPECIFICATIONS

## Y-STYLE SQUARE BRANCH 45° (BRSY)



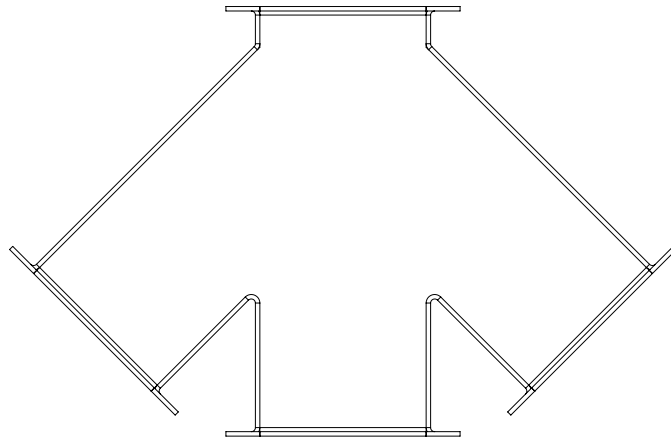
SIZE (A)	B	C
6"	6 3/8"	8-1/8"
8"	7 1/2"	9-11/16"
10"	8 5/8"	11-1/16"
12"	9-3/4"	12-1/2"
14"	10-7/8"	13-7/8"
16"	12"	15-5/16"

## K-STYLE SQUARE BRANCH 45° (BRSY)



SIZE (A)	B	C	D
6"	14-3/4"	11-3/4"	9-1/4"
8"	17-9/16"	13-7/8"	10-15/16"
10"	20-7/16"	16"	12-11/16"
12"	24-1/16"	18-13/16"	14-13/16"
14"	26-15/16"	20-15/16"	16-1/2"
16"	29-3/4"	23"	18-3/16"

## 3-WAY SQUARE BRANCH 45° (BRST)



SIZE (A)	B	C	D	E
6"	15-13/16"	12"	9-1/4"	18-7/16"
8"	22"	16-1/2"	13-5/16"	26-5/8"
10"	24-11/16"	18-1/2"	14-7/8"	29-13/16"
12"	27-5/16"	20-1/2"	16-1/2"	33"
14"	30"	22-1/2"	18-1/16"	36-1/8"
16"	32-5/8"	24-1/2"	19-11/16"	39-5/16"

# The LCDM Advantage

- Convenient ordering via phone, text message and our website
- Friendly and knowledgeable staff
- Multiple inventory locations owned/operated by LCDM
- In-house production designers
- Years of field experience



**Midwest Distribution Center**

1611 North Binkley Road  
Larwill, IN 46764  
260-515-8173



**Midwest Distribution Center**

22394 US HWY 136  
Memphis, MO 63555



**East Coast Distribution Center**

871 Range End Road  
Dillsburg, PA 17019  
888-963-9145

*Pricing in this catalog is subject to change without notice.*

# Products Designed with the Millwright in Mind

LCDM Corporation was founded through a 39 year agriculture millwright company that recognized the need for improved design and engineering of material handling equipment. We strive to give the customer a friendly and hassle free experience when interacting with our staff. Our mission is to take the lead in supplying our quality, yet affordable products to the material handling industry and build long lasting business relationships.

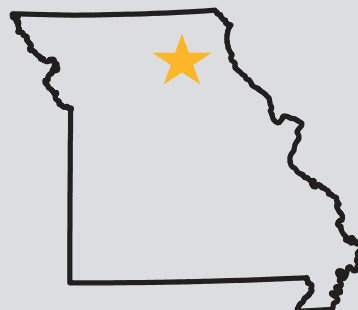


**LCDM**  
*Employee Owned*



**Midwest Distribution Center**

1611 North Binkley Road  
Larwill, IN 46764  
260-515-8173



**Midwest Distribution Center**

22394 US HWY 136  
Memphis, MO 63555



**East Coast Distribution Center**

871 Range End Road  
Dillsburg, PA 17019  
888-963-9145