



LCDM

Custom Grain Handling Equipment

Employee Owned

CUSTOM DESIGN & ENGINEERING

Transforming Ideas Into Products & Industry Solutions



From Concept to Product

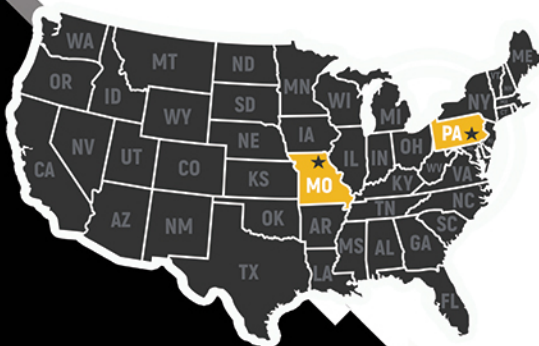
In-House 3D Design Support

Application Specific Components

45 plus years of Knowledge

Tech Support on Equipment Specs

LCDM designs and engineers products and services outside of our standard inventory product line. From custom transitions to slide gates, **we design new and modernized solutions to help increase your bottom line.** LCDM is equipped with highly skilled, trained, and SolidWorks certified personel and the infrastructure to support you throughout the duration of your project.





LCDM is your one-stop headquarters for custom grain handling equipment designed with the millwright in mind. With our 40 years of field experience, we can work with you to develop an innovative grain flow equipment solution that will help you **increase efficiencies and reduce costs**. We also offer a host of support services to enable you to maximize our products' performance and value for your company.

3D Concept, Construction Drawings & Complete System Design

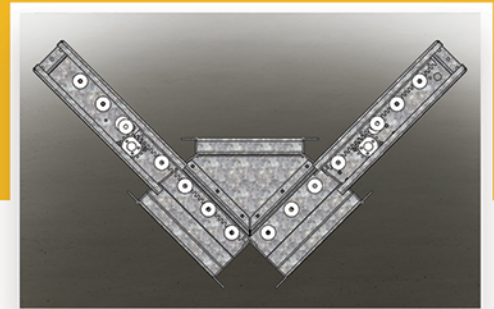
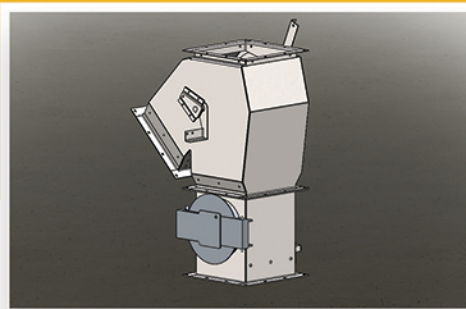
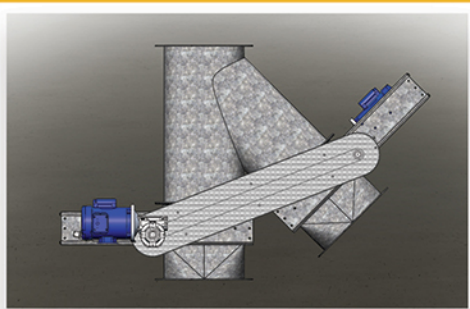
INNOVATION

ENGINEERING

QUALITY

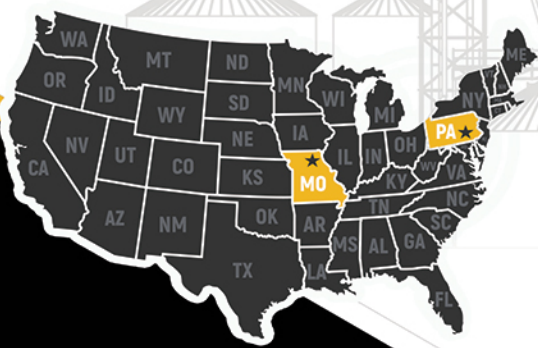
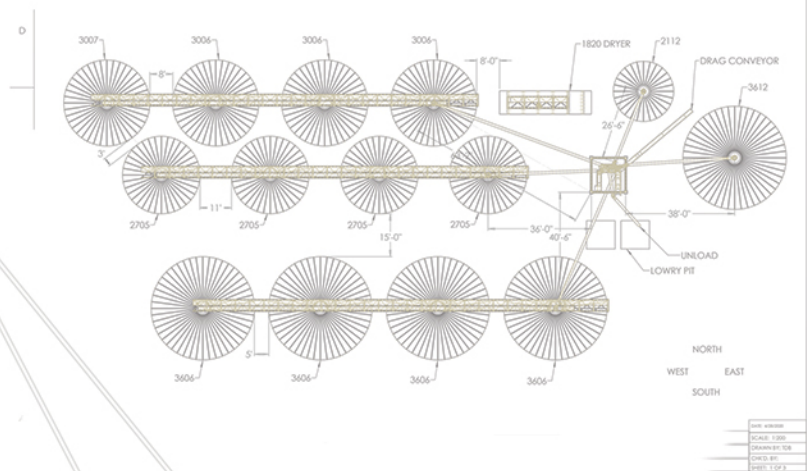
CONSISTENCY

TURN-AROUND TIME



Industries Served

- Agriculture
- Food & Spices
- Coal
- Malting & Distilling
- Aggregates



We Build on Relationships.



22394 US HWY 136 Memphis, MO 63555 • 888.963.9145

871 Range End Rd. Dillsburg, PA 17019 • 888.963.9145

contact@LCDMcorp.com

Employee Owned