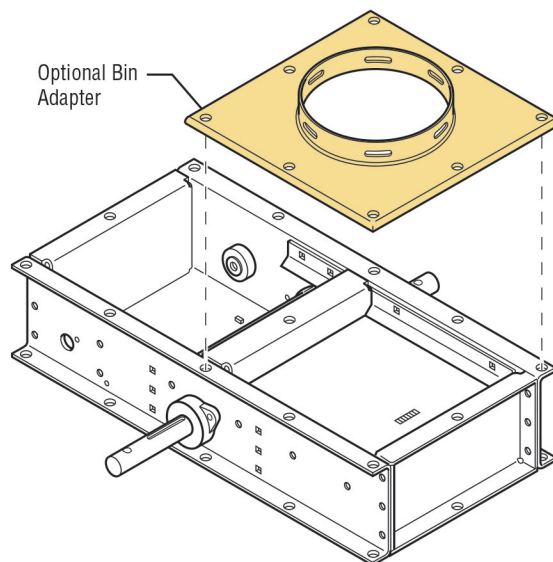


SLIDE GATES

Grain Flow Slide Gates

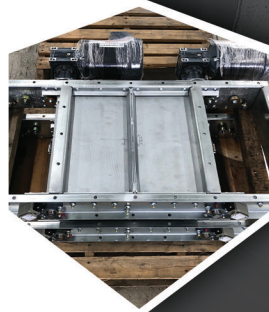
Revolutionizing Grain Flow Equipment

LCDM Slide Gates are uniquely designed to meet your needs, maximize efficiency and offer best in class reliability. Our slide gates make controlling the flow of grain and other bulk materials at discharge points easy. With several options to choose from, LCDM can accommodate all your grain flow needs



KEY FEATURES:

- Bolt together design
- Laminated rack and pinion
- Cold rolled zinc plated wheels and hubs
- Standard galvanized body
- Bearing supported shaft
- Manual, electric and pneumatic drives available
- Seal kits available for feed applications
- Custom sizes and configurations available



SLIDE GATES SIGNATURE PRODUCT

MADE UP OF DOMESTICALLY PRODUCED PRODUCTS



LCDM designs and builds all rack and pinion slide gates in-house. In addition, all slide gates are made up of domestically produced products. You can be sure the quality of our products will meet your expectations.

OUR RANGE OF SLIDE GATES INCLUDE:

- Manual Rack and Pinion
- Gear Drive Rack and Pinion
- Electrically Actuated Rack and Pinion
- Pneumatic Slide Gates
- Hopper Bottom Adapter
- Fully Customized Solutions



INNOVATION | ENGINEERING | QUALITY | CONSISTENCY | TURN-AROUND TIME

ADDITIONAL SLIDE GATE FEATURES:



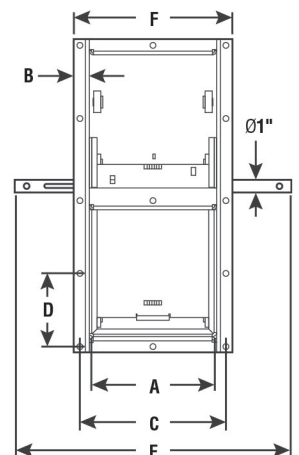
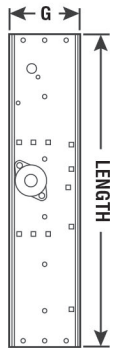
Leak Proof
Inlet Collars



Zinc Plated
Steel Rollers



Oil Impregnated
Bushings



| PART NUMBER | A (Nom Size) | B | C | D | E | F | G | LENGTH |
|-------------|--------------|--------|---------|----------|----|---------|--------|---------|
| GTRS06xxx | 6 | 1--1/4 | 7--5/8 | 3--13/16 | 18 | 8--5/8 | 5--1/2 | 17 |
| GTRS08xxx | 8 | 1--1/4 | 9--5/8 | 4--13/16 | 20 | 10--5/8 | 5--1/2 | 21 |
| GTRS10xxx | 10 | 1--1/4 | 11--5/4 | 5--13/16 | 22 | 12--5/8 | 5--1/2 | 25 |
| GTRS12xxx | 12 | 1--1/2 | 14 | 4--21-32 | 24 | 15--1/8 | 5--1/2 | 29--1/2 |
| GTRS14xxx | 14 | 1--1/2 | 16 | 4 | 26 | 17--1/8 | 5--1/2 | 33--1/2 |
| GTRS16xxx | 16 | 1--1/2 | 18 | 4--1/2 | 28 | 19--1/8 | 5--1/2 | 37--1/2 |
| GTRS18xxx | 18 | 1--1/2 | 20 | 5 | 30 | 21--1/8 | 5--1/2 | 41--1/2 |
| GTRS20xxx | 20 | 1--1/2 | 22 | 5--1/2 | 32 | 23--1/8 | 5--1/2 | 45--1/2 |
| GTRS22xxx | 22 | 1--1/2 | 24 | 4 | 34 | 25--1/8 | 5--1/2 | 49--1/2 |
| GTRS24xxx | 24 | 1--1/2 | 26 | 4--21-64 | 36 | 27--1/8 | 5--1/2 | 53--1/2 |

